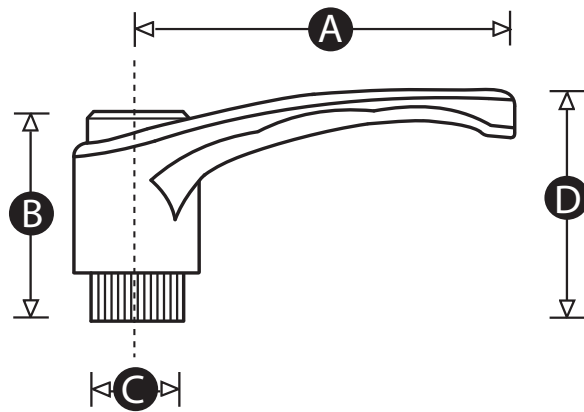


DataSheet**Female Ergonomic Indexed Clamping Handle****Handle Material**

Reinforced nylon (15% glass filled PA6)

Female Insert Material

Stainless steel or zinc plated steel.

Standard Colour Combinations

Black handle with red cap, black handle with orange cap, orange handle with black cap.

**ENGLISH**

Part No.	A	B	C	D	Thread size	Insert material	Handle + Cap Colour
478800	43	29	12	30	M5	Stainless Steel	Black + Orange
478232	43	29	12	30	M5	Zinc plated steel	Black + Orange
478204	43	29	12	30	M6	Stainless Steel	Black + Orange
478242	43	29	12	30	M6	Zinc plated steel	Black + Orange
478214	65	38	15	44	M6	Stainless Steel	Black + Orange
478248	65	38	15	44	M6	Zinc plated steel	Black + Orange
478210	65	38	15	44	M8	Stainless Steel	Black + Orange
478715	65	38	15	44	M8	Zinc plated steel	Orange + Black
478258	65	38	15	44	M8	Zinc plated steel	Black + Orange
478220	83	47	19	54	M8	Stainless Steel	Black + Orange
478725	83	47	19	54	M8	Zinc plated steel	Orange + Black
478226	83	47	19	54	M8	Zinc plated steel	Black + Orange
478383	83	47	19	54	M10	Stainless Steel	Black + Orange
478692	83	47	19	54	M10	Zinc plated steel	Orange + Black
478208	83	47	19	54	M10	Zinc plated steel	Black + Orange
478393	83	47	19	54	M12	Stainless Steel	Black + Orange
478670	83	47	19	54	M12	Zinc plated steel	Orange + Black
478961	83	47	19	54	M12	Zinc plated steel	Black + Orange
478208	83	47	19	54	M10	Zinc plated steel	Black +Red
478204	43	29	12	30	M6	Zinc plated steel	Black +Red
478210	65	38	15	44	M8	Zinc plated steel	Black +Red