

SPECIFICATION

FOR

EUROPEAN POWER SUPPLY CORDSET (PB FR)

CORD : H05VV-F 3X0.75mm² PVC LEAD FREE

CUSTOMER : VPE/RS COMPONENTS

CUSTOMER'S PART No. : 1469119(V-NOVUS SCHUKO-C13 1.8M)

VOLEX'S SPEC. REF. No. : 172907/18

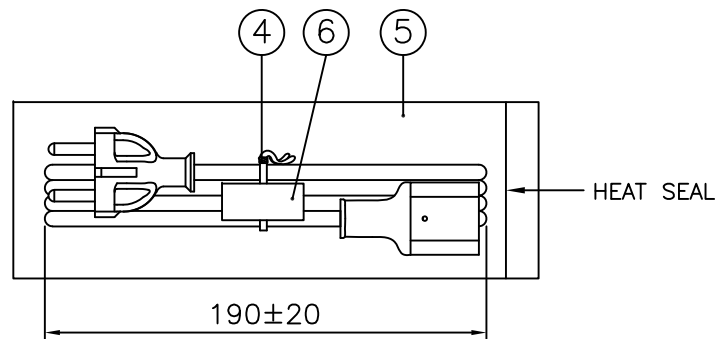
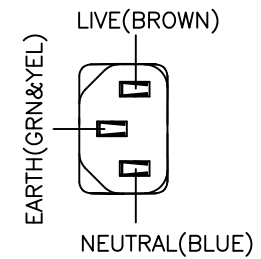
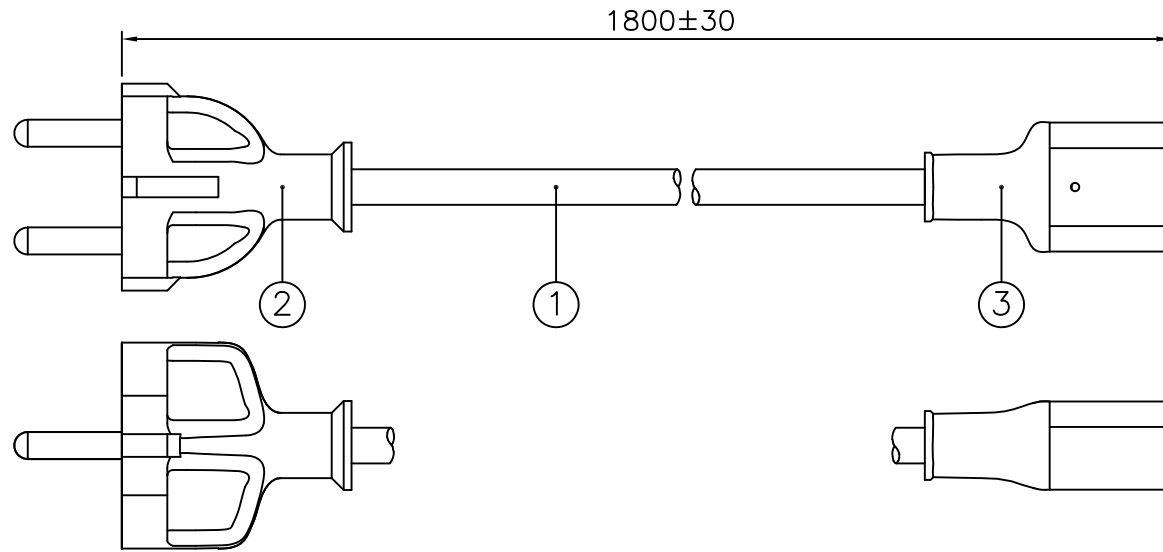
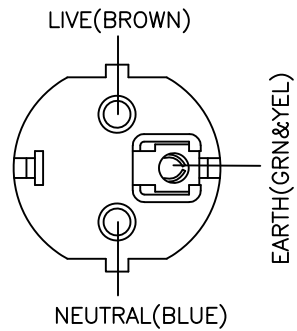
ISSUE No. : 006

DATE : 03RD DECEMBER 2019

CUSTOMER APPROVED :

APPROVED BY :	
SIGNATURE :	
APPROVED DATE :	
No. OF PAGES :	





APPROVED SOURCE FOR CABLE

1. BAO HING(SHENZHEN).

NOTE :

1. ALL DIMENSIONS IN mm.
2. THE CORD SHALL COMPLY WITH EN 50525-2-11.
3. THE MOLDED PLUG SHALL COMPLY WITH VARIOUS EUROPEAN COUNTRIES' CONFIGURATION (NATIONAL STANDARD) AND TESTED TO IEC 60884-1.
4. THE MOLDED CONNECTOR SHALL COMPLY WITH IEC 60320-1 OR EN 60320-1.
5. THIS PART CAN BE MANUFACTURED AT ANY LOCATION WHICH HAS SAFETY APPROVAL.

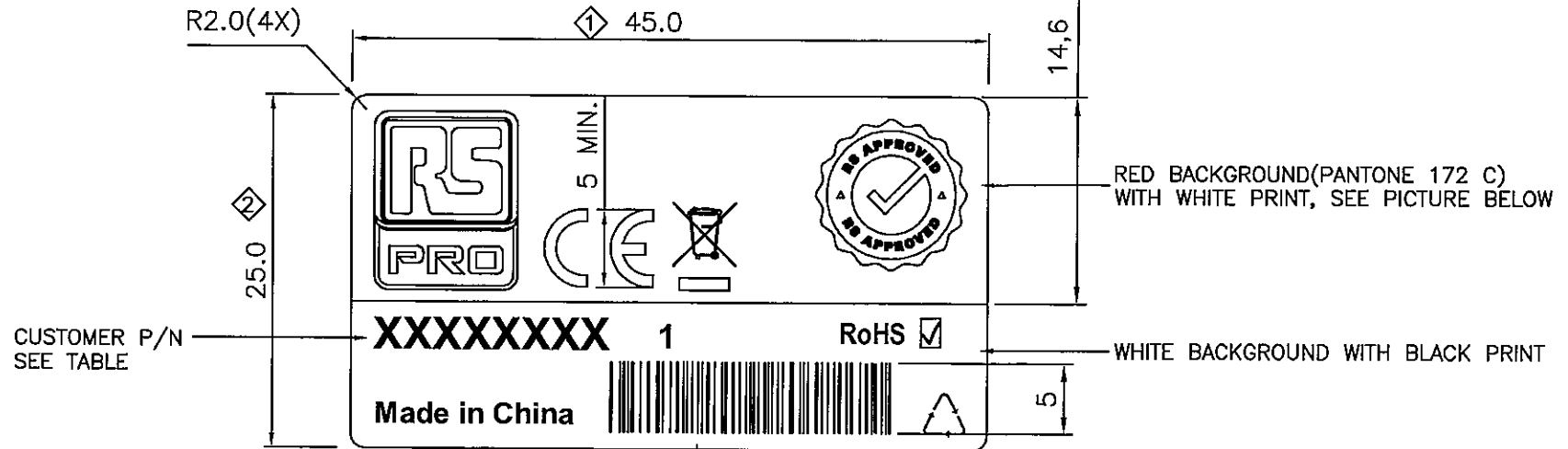
6	LABEL RS 45X25MM 1469119 WITH CE & WEEE	6103459	1
5	BAG LDPE 283X114X0.05 PRT (04)	904028	1
4	PE TIE BLK (REEL)	6310101	1X152MM
3	IP40G NL792B BLK	4100017	-
	MOLDED CONNECTOR VNC13S (10A 250V)	VNC13S-V	1
2	IP60G NL7976B BLK	4100115	-
	MOLDED PLUG VNEU16S3 (16A 250V)	VNEU16S3-V	1
1	H05VV-F 3X0.75 BLK LF (INDENTED)	1210892	1

S/N	DESCRIPTION	ITEM NUMBER	QTY
TITLE :		EUROPEAN POWER SUPPLY CORDSET (PB FR)	SCALE : N.T.S.
CUSTOMER :		VPE/RS COMPONENTS	PAGE : 1/1
CUSTOMER PART NUMBER :		1469119(V-NOVUS SCHUKO-C13 1.8M)	ISSUE
Reference Number :		172907/18 (VPE11-131-19)	006
SALES :	QA :	ENGRG :	CHECKED BY :
Date :	Date :	Date :	Date :
		ROB-W	Allie
		03/12/19	03/12/19
			ALLIE
			03/12/19

DRAWING NUMBER : REVISION :

L-0654

B



RED BACKGROUND(PANTONE 172 C) WITH WHITE PRINT, SEE PICTURE BELOW

WHITE BACKGROUND WITH BLACK PRINT

SPECIFICATION :

PRODUCT NO	AW32C9 WITH PP COATING
FACESTOCK MATERIAL	ART PAPER
FACESTOCK THICKNESS	72 μ M \pm 10%
FACESTOCK COLOUR	WHITE
FACESTOCK SURFACE FINISH	GLOSSY
ADHESIVE BASE	ACRYLIC EMULSION
SHELF LIFE	1 YEAR

BARCODE: CODE 128A, SCAN SHOW CUSTOMER P/N



PICTURE FOR COLOUR PRINT

NOTES :

1. ALL DIMENSION IN MM.
2. GENERAL TOLERANCE \pm 1MM, UNLESS OTHERWISE SPECIFIED.
3. \diamond CRITICAL DIMENSIONS, WHERE Y IS IN NUMERICAL DIGITS.
4. WHITE BACKGROUND WITH BLACK PRINT.
5. FONT: ARIAL, BOLD.

DRAWN :	ALICE	REV	IMM/ECR	BY	DATE	REV	IMM/ECR	BY	DATE	TITLE :	RS LABEL 45X25MM WITH CE & WEEE LOGO			
RELEASED :	22/01/19	A	190190	ALICE	04/04/19					ITEM NO.:	FILENAME :	SCALE :	PROJ. :	PAGE :
	SIGN	DATE	B	190589	ALICE	11/11/19				SEE TABLE	.\LABEL\PREPRINTED\L-0654	2 : 1		1/2
CHECKED :	<i>Alice</i>	<i>11/11/19</i>												
APPROVED :	<i>[Signature]</i>	<i>11/11/19</i>												

DRAWING NUMBER : REVISION :

L-0654

B

TABLE \triangle B

CUSTOMER P/N	ITEM NO.	CUSTOMER P/N	ITEM NO.	CUSTOMER P/N	ITEM NO.	CUSTOMER P/N	ITEM NO.
1247409	6103431-XXXX	321203	6103475-XXXX	7440929	6103502-XXXX	262 1154 0001	6103536-XXXX
1468803	6103441-XXXX	321219	6103476-XXXX	7440931	6103503-XXXX	262 1160 0001	6103537-XXXX
1468804	6103442-XXXX	426424	6103478-XXXX	7440935	6103504-XXXX	262 1176 0001	6103538-XXXX
1469102	6103443-XXXX	531100	6103479-XXXX	7440941	6103505-XXXX	262 1182 0001	6103539-XXXX
1469103	6103444-XXXX	531116	6103480-XXXX	8188903	6103507-XXXX	680 3798 0001	6103540-XXXX
1469104	6103445-XXXX	6151154	6103481-XXXX	8188909	6103508-XXXX	426 373 0001	6103541-XXXX
1469105	6103446-XXXX	6151176	6103482-XXXX	8188912	6103509-XXXX	426 389 0001	6103542-XXXX
1469106	6103447-XXXX	6151182	6103483-XXXX	8188915	6103510-XXXX	426 395 0001	6103543-XXXX
1469107	6103448-XXXX	6266593	6103484-XXXX	8188919	6103511-XXXX	426 402 0001	6103544-XXXX
1469108	6103449-XXXX	6266600	6103485-XXXX	9010753	6103512-XXXX	426 418 0001	6103545-XXXX
1469109	6103450-XXXX	6266616	6103486-XXXX	9092156	6103513-XXXX	452 669 0001	6103546-XXXX
1469110	6103451-XXXX	6266688	6103489-XXXX	9092168	6103516-XXXX	487 277 0001	6103547-XXXX
1469111	6103452-XXXX	6266694	6103490-XXXX	9092171	6103517-XXXX	487 277 0010	6103548-XXXX
1469112	6103453-XXXX	6266701	6103491-XXXX	9092174	6103518-XXXX	489 201 0001	6103549-XXXX
1469114	6103454-XXXX	6266717	6103492-XXXX	9092178	6103519-XXXX	489 217 0001	6103550-XXXX
1469115	6103455-XXXX	6266723	6103493-XXXX	9092184	6103521-XXXX	489 346 0001	6103551-XXXX
1469116	6103456-XXXX	6266745	6103494-XXXX	9092193	6103524-XXXX	489 352 0001	6103552-XXXX
1469117	6103457-XXXX	7316157	6103495-XXXX	445 740	6103528-XXXX	490 217 0001	6103553-XXXX
1469118	6103458-XXXX	7316166	6103497-XXXX	449 297	6103529-XXXX	490 223 0001	6103554-XXXX
1469119	6103459-XXXX	7316175	6103498-XXXX	449 326	6103530-XXXX	490 239 0001	6103555-XXXX
1469120	6103460-XXXX	7316201	6103499-XXXX	815 846	6103531-XXXX	490 245 0001	6103556-XXXX
321180	6103473-XXXX	7316208	6103500-XXXX	268 2610	6103532-XXXX	311-9321-0000	6103557-XXXX
321196	6103474-XXXX	7440925	6103501-XXXX	311 9315	6103533-XXXX	311-9337-0000	6103558-XXXX
				262 1126 0001	6103535-XXXX	311-9359-0000	6103559-XXXX

DRAWN : ALICE	REV	IMM/ECR	BY	DATE	REV	IMM/ECR	BY	DATE	TITLE :					
RELEASED : 22/01/19	A	190190	ALICE	04/04/19					RS LABEL 45X25MM WITH CE & WEEE LOGO					
	SIGN	DATE	B	190589	ALICE	11/11/19			ITEM NO.:	FILENAME :	SCALE :	PROJ. :	PAGE :	
CHECKED : <i>[Signature]</i>		11/11/19							SEE TABLE	.\LABEL\PREPRINTED\L-0654	2 : 1		2/2	
APPROVED : <i>[Signature]</i>		11/11/19												

REV.	DESCRIPTION	DATE
E	UPDATE VALUES AS PER PRODUCT SAFETY.	28/07/04
F	CHANGE THE COMPLIANCE STANDARD PER SAFETY.	23/12/13
	UPDATE FORMAT AS SHOWN.	

1. PVC FLEXIBLE CORD

1.1 SCOPE

This specification shall be in accordance with EN 50525-2-11. Δ

1.2 CONSTRUCTION



CONDUCTOR	ANNEALED COPPER WIRE
INSULATION	PVC (BLUE, BROWN AND GREEN&YELLOW)
JACKET	PVC

ITEM	UNIT	SPEC. VALUE	
TEMPERATURE RATING	°C	70	
RATED VOLTAGE	V	300/500	
NO. OF CORE	NO.	3	
CONDUCTOR NOMINAL AREA	mm ²	0.75	
MIN. AVE. THICKNESS OF INSULATION	mm	0.60	
MIN. THICKNESS AT ANY POINT OF INSULATION	mm	0.44	
MIN. AVE. THICKNESS OF JACKET	mm	0.80	
MIN. THICKNESS AT ANY POINT OF JACKET	mm	0.58	
OVERALL DIAMETER OF JACKET	mm	6.0~7.6	
DIELECTRIC-STRENGTH TEST IMMERSED IN WATER 20±5°C FOR MINIMUM 1 HOUR	ON COMPLETED CABLE	—	2000V for 15 mins.(minimum)
	ON CORES	—	1500V for 5 mins.(minimum)
VOLTAGE TEST (D.C)	—	—	5000V d.c. for 5 mins.(minimum)
	—	—	2000V a.c. for 5 mins.(minimum)
INSULATION RESISTANCE TEST (70°C)	MΩ km	>0.011	
CONDUCTOR RESISTANCE TEST (20°C)	Ω/km	≤26	

TITLE : CABLE SPECIFICATION

EUROPEAN APPROVED POWER SUPPLY CABLE

H05VV-F 3X0.75mm²

SPEC NO. : CS-038EU	APPROVED BY :	CHECKED BY :	DRAWN BY :	REVISION :	
	DATE :	DATE :	DATE :	PAGE :	
			HONGYAN	F	
	30/12/13	27/12/13	23/12/13	1/1	

REV.	DESCRIPTION	DATE
B	ADD IN BAO HING (SU ZHOU).	22/10/02
C	UPDATE THE FORMAT AS SHOWN.	18/01/05
	ADD IN '(EU/SAA/SAB/IEC)' ON THE TITLE.	
	REMOVE BAO HING (SUZHOU) CABLE	
	MARKING DETAILS.	

CABLE MARKING

BAO HING (SHENZHEN)

:- H05W-F 3G0.75mm² <VDE> KEMA-KEUR +s+s+s
 <ÖVE> CEBC IEMMEQU SABS 1574 (S) (N) (D) (FI)
 BAOHING GTSA-3 N14586 **CE** LF



DRAWN	CONGFANG	18/01/05	FILENAME :	TITLE : CABLE MARKING (EU/SAA/SAB/IEC)
CHECK	<i>Walter</i>	18/01/05	CABLE MARKING/	
APPR	<i>Changfa</i>	18/01/05	EM/H05/H05W-F	
SCALE	N.T.S.	REV.	C	
REFERENCE :				
H05W-F 3X0.75mm ² LF				

2. PLUG

REV	DESCRIPTION	DATE
AD	ADD IN CATALOGUE 'VNBEU16S3'.	15/07/19
AE	ADD IN CATALOGUE 'VNBEU16A3'.	28/08/19

2.1. SCOPE

The plug shall be in accordance with various European countries' configuration (national standard) and tested to IEC 60884-1 "Plugs and socket-outlets for household and similar purposes - Part 1: General requirements.

2.2. CONSTRUCTION

The plug construction shall comply with our catalogue No: M3204, EUH16S2, MP2210,EUC6, M2511, M2511A, EU10SC3, EU16VS2 , EU16VJS2, EU16CS3, PH16CS3,PH16HA3, EU16CA3, EU16DS2, EU16DJS2, EU16JS2, VPEU16S3, GPEU16S3,VPEU16S2, DS16CS2, APEU16S3 , APEU16BS3G, DS16ES2, APEU16CS3, APEU16CS3G, DLEU16S3, LSEU16THA3, VNEU16S3, VNEU16A3,CSEU16S3,VNBEU16S3 & **VNBEU16A3**

2.3. CHARACTERISTICS

NO.	TEST ITEM	DESCRIPTION	ACCEPTANCE CRITERIA
1.	Moisture resistance test	Samples are kept in a humidity cabinet containing air with a relative humidity between 91 to 95% and a temperature of 20°C-30°C for a duration of 48 hours.	No damage
2.	Electric strength test	A voltage of A.C 2000V with a trip current of min. 100mA is applied for 1 min after the moisture resistance test.	No flashover and breakdown
3.	Insulation resistance test	This test is measured after 1 min. application of D.C 500V after the moisture resistance test.	Min. 5 M Ohm
4	Pressure test	The plug is pressed with a force of 150N for 5 minutes.	The plug shall not have been deformed.
5.	Temperature rise test	An alternating current of 10A (0.75mm ²), 12A (1mm ²) or 16A (1.5mm ²) is passed through poles for 1 hour.	The temperature rise at any points shall not exceed 45°C.
6.	Bending test	The sample shall be loaded with a weight of 10N for 0.75mm ² or 20N for 1.00mm ² and bigger and the oscillating member shall be moved backward and forward through an angle of 90° (45° on either side of the vertical) the number of flexing being 10,000.A current of 10A (0.75mm ²) or 16A (1.0mm ² and above) is passed through the conductors.	No damage and the voltage drop shall not exceed 10mV.
7	Pin pull test	A pull force of 50N is applied on the pins (in turn) after the plug has been aged for 1 hour at 70°C.	The displacement of the pin shall not be more than 1 mm.

DRAWN:	PEIYUAN	28/08/19	TITLE : EUROPEAN PLUG (IEC 60884-1)
CHECK:	<i>Peiyuan</i>	28/08/19	
APPR:	<i>ROBIN</i>	28/08/19	
REV:	AE		
REFERENCE:			

NO.	TEST ITEM	DESCRIPTION	ACCEPTANCE CRITERIA
8	Tumbling test	The samples are dropped from a height of 50cm onto a steel plate (3mm thick) for a total of 1000 times. A torque of 0.4Nm is applied in one direction for 1 min. first then follow by the other direction for another min. on the pins.	No damage and the pins shall not turn.
9	Cold impact test	The samples are kept in a refrigerator at a temperature of - 15±2°C for at least 16 hours. The samples are then allowed to fall by the hammer (1000g) from a height of 10cm.	No damage
10	Heat deformation test	The samples are kept for 1 hour in a heating cabinet at temperature of 100±5°C.	No damage
11	Heat pressure test	The samples are applied 20N (2.04kg) at a temperature of 80±2°C for 1 hour.	No damage
12	Ageing test	The samples are kept for 168 hours in a heating cabinet at temperature of 70±2°C.	No damage
13	Pressure test II	The samples are applied 300N (30.6kg) at a temperature of 20±2°C for 1 min.	No damage
14	Cord-anchorage test	The cord is subjected to pulls of 50N (2.5A) or 60N (10/16A) force 100 times without jerk each lasting 1 sec. Thereafter the cord is subjected to a torque of 0.15Nm (2 core 0.75mm ²) or 0.25Nm (others) for 1 min.	The cord shall not be damaged and shall not been displaced by more than 2mm.
15	Ball pressure test	A steel ball of 5mm in diameter is applied with 20N force on the sample at a temperature of 125±5°C for 1 hour on the insert.. The sample is than cooled by cold water.	The diameter of the impression shall not exceed 2mm.
16	Glow wire test	The tip of the glow wire heated electrically to 750±10°C shall be applied at the portion between the current-carrying pins and for a period of 30s. For all other parts, the wire is heated to 650±10°C.	Any flame and glowing shall extinguish within 30s after the removal of the glow-wire. There shall be no ignition of the tissue papernor sorching of the board.

DRAWN:	PEIYUAN	28/08/19	TITLE : EUROPEAN PLUG (IEC 60884-1)
CHECK:	<i>Peiyuan</i>	28/08/19	
APPR:	<i>ROBIN</i>	28/08/19	
REV:	AE		
REFERENCE:			

3. CONNECTOR

REV	DESCRIPTION	DATE
BC	ADD IN CATALOGUE NO. VSCC21.	21/06/19
BD	ADD IN CATALOGUE NO. VNBC13S.	03/07/19

3.1. SCOPE

The connector shall be in accordance with IEC 60320-1 or EN 60320-1, Test specification - appliance couplers.

3.2. CONSTRUCTION

The connector construction shall comply with our catalogue No: VAC5S, APC5A, APC5S, APC5M, VAC5AR, APC5SM, DLC5A3, V1625, V1625A, VAC19, VAC17S, VSCC13, AVL13, APC13, APC13S, VSC19, V1625LA, VAC19A, VSCC15, APC5SP, APC13F, V1625BS, APC13G, VAC13A, VAC13S, PIC17S, VIC13A, DLC5U3, VAC13KS, SOC5S, V1625H, VAC19KS, DLC5E3, HPC13A, V1625AT, VAC17A, APC5SF, VCC13, VCC5S, APC13H, VCC17S, VAC19H, APC13FH, APC13HC, VAC17KS, DLC5CS3, VNC13S, HWC13U, VNC5S, VNC13A, VAC19LA, VAC13AD, MS225A, VNC21S, VAC5ALS, VSCC21A, VSCC21 & **VNBC13S**.

"All connectors complying to Standard Sheet C5, C13, C15, C15A, C17, C19 and C21"

3.3. CHARACTERISTICS

NO.	TEST ITEM	DESCRIPTION	ACCEPTANCE CRITERIA
1.	Moisture resistance test	Samples are kept in a humidity cabinet containing air with a relative humidity between 91 to 95% and a temperature of 20°C-30°C for a duration of 48 hours.	No damage
2.	Electric strength test	Voltages of 3000V±60V and 1500V±60V, with min. trip current of 100mA is applied for 60s±5s between current-carrying contacts and body and between each contacts respectively after the moisture resistance tests.	No flashover and breakdown
3.	Insulation resistance test	This test is measured with a D.C 500V after the moisture resistance test. Readings are taken after 60s ± 5s of application of voltage.	Min. 5 M Ohm
4.	Withdrawal force test	<p>i) Min. 1.5N (2N for 16A) - A single pin made to the minimum dimension is inserted into the connector. The pin, together with the weight should exert a force of 1.5N (2N for 16A connector). Each individual pole of the connector is tested separately.</p> <p>ii) Max. 50N (60N for 16A) - Insert and withdraw the connector from a socket having pin dimension to the maximum and shroud dimension to the minimum for 10 times. The connector is then inserted again into the socket hang with a total weight of 50N(60N for 16A). The weight consist of a principal weight which is 90% of the total weight and a supplementary weight of 10%.</p> <p>The test is repeated for hot connector with temperature of 120°C±2°C on the pins.</p>	<p>i) The pin with the weight should not be withdrawn from the connector for more than 3 seconds.</p> <p>ii) The connector shall be withdrawn from the socket. If not the supplementary weight is lifted from a height of 5cm and drop. The connector must be withdrawn.</p> <p>The test is repeated after temperature rise test.</p>

DRAWN:	WANGHUI	03/07/19	TITLE: EUROPEAN & BRITISH APPLIANCE COUPLERS
CHECK:	<i>Hui</i>	03/07/19	
APPR:	<i>Keith</i>	03/07/19	
REV:	BD		
REFERENCE:			

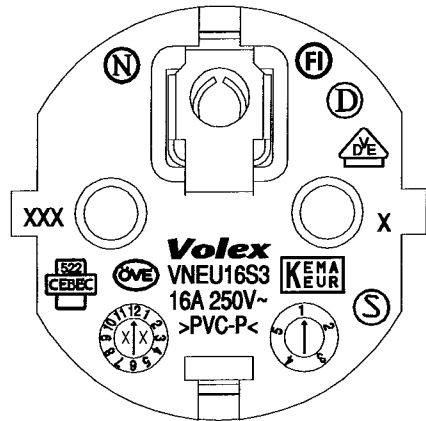
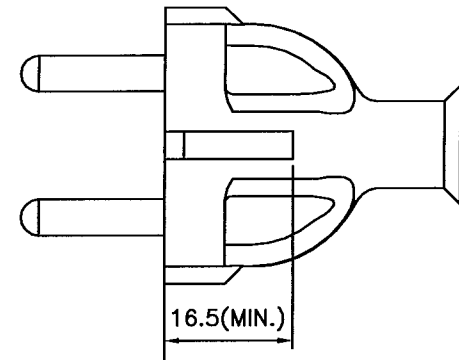
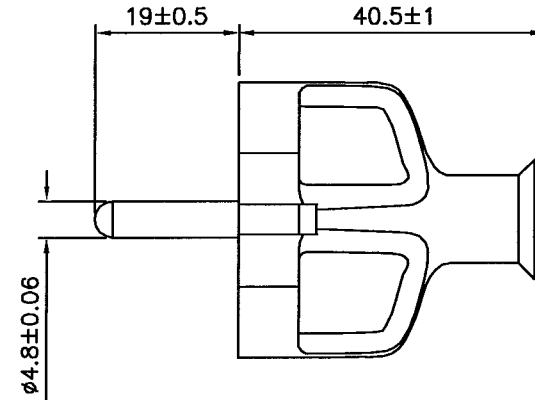
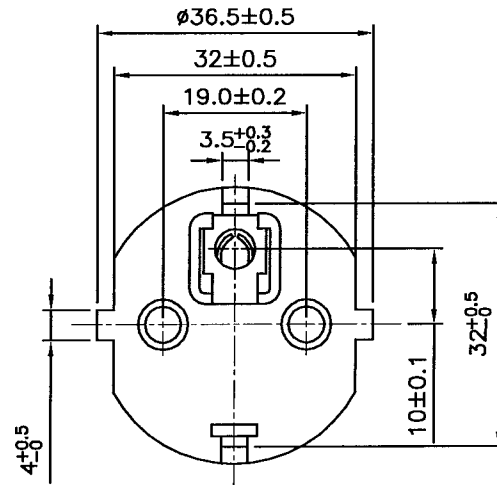
NO.	TEST ITEM	DESCRIPTION	ACCEPTANCE CRITERIA
5.	Glow wire test	Glow wire is applied for 30s with temperature of 750°C on inserts and housings retaining contacts and 650°C on elsewhere.	Flame (if any) shall be self-extinguished within 30s upon the removal of the glow wire and molten droplets shall not ignite paper.
6.	Bending test	The sample shall be loaded with a weight of 10N for 0.75mm ² or 20N for 1.00mm ² or bigger and the oscillating member shall be moved backward and forward through an angle of 90°(45° on either side of the vertical) the number of flexing being 20,000.A rated current is applied. For round cord, the sample is turned 90 degree around the axis of cable after 10,000 cycles. The flexing is further completed in this axis. Flat cable is flexed only along the bigger axis of the cable.	There shall be no complete breakage of any of the conductor. Broken conductor shall not have pierced the insulation.
7.	Tumbling test	The sample is dropped from a height of 50cm onto a steel plate(3mm thick) for a total of 500 times.	No damage to impair further use of connector.
8.	Breaking capacity test	The connector is connected and disconnected 50 times (100 strokes) with the inlet at a rate of 30 strokes per minute with 275V and 1.25 times of rated current.	No flashover or sustained arcing during the test and no damage to impair further use of connector.
9.	Normal operation test	Test is similar to breaking capacity except that the test voltage is 250V with the connector connected and disconnected with the inlet for 1000 times (2000 strokes) with rated current and 3000 times (6000 strokes) without current.	Withstand electric strength at 1500V for 1 min, and show no damage.
10.	Temperature rise test	An alternating current at 1.25 times rated current is passed through the current carrying contacts for 1 hour.This is repeated for connector with earth contact passing current between earth and each of the current carrying contacts.	The temperature rise shall not exceed 45K.
11.	Cord-anchorage test	The cord is subjected to pulls of 50N(2.5A) or 60N(others) for 100 times each time for 1 sec. without jerk.Thereafter the cord is subjected for 1 min. to a torque of 0.15Nm(0.75mm ²) or 0.25Nm(others).	The cord shall not be damaged and shall not be displaced by more than 2mm.
12.	Heat deformation test	Samples are kept for 1 hour in a heating cabinet at temperature of 100±2°C.	No damage to impair further use of connector.
13.	Heat pressure test	A pressure of 20N is applied at a temperature of 100°C ± 2°C for 1 hour.	No damage to impair further use of connector.

DRAWN:	WANGHUI	03/07/19	TITLE: EUROPEAN & BRITISH APPLIANCE COUPLERS
CHECK:	<i>Hui</i>	03/07/19	
APPR:	<i>heith</i>	03/07/19	
REV:	BD		
REFERENCE:			

NO.	TEST ITEM	DESCRIPTION	ACCEPTANCE CRITERIA
14.	Aging test	The samples are kept for 168 hours in a heating cabinet at a temperature of $80\pm 2^{\circ}\text{C}$.	No damage & marking shall be legible.
15.	Ball pressure test	A ball of 5mm in diameter is applied on the connector with the following temperature with 20N force for 1 hour. i) 125°C for hot connectors. ii) 125°C for parts retaining current carrying parts and earth circuit. iii) 75°C for other parts for cold connector. The connector is then cooled down to room temperature with cold water.	The diameter of the impression shall not exceed 2mm.

DRAWN:	WANGHUI	03/07/19	TITLE: EUROPEAN & BRITISH APPLIANCE COUPLERS
CHECK:	<i>Hui</i>	<i>03/07/19</i>	
APPR:	<i>Keith</i>	<i>03/07/19</i>	
REV:	BD		
REFERENCE:			

REV.	DESCRIPTION	DATE
A	INITIAL RELEASE.	20/05/15



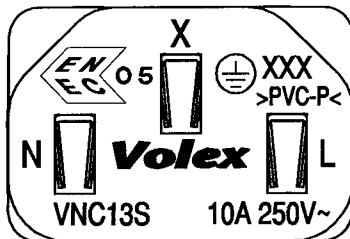
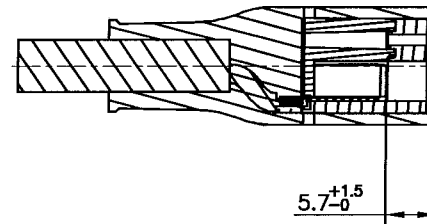
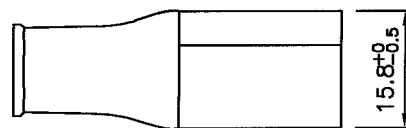
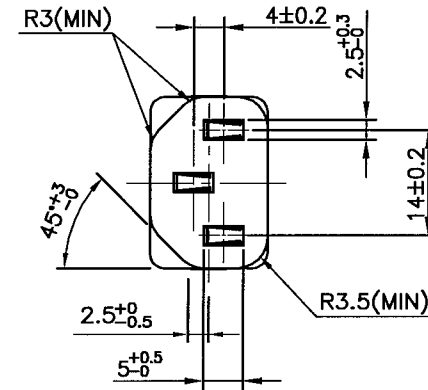
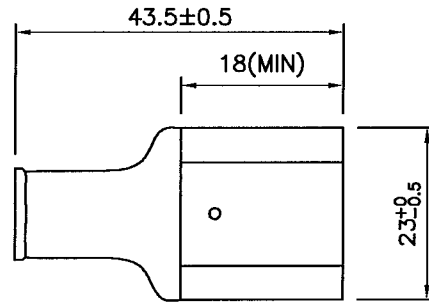
MARKING DETAILS :

NOTE :

- 1.) ALL DIMENSIONS IN mm.
- 2.) X - CAVITY NO. (OPTIONAL)
- 3.) XXX - MANUFACTURING LOCATION.

HG	HENG GANG (CHINA)		DRAWN	TIAN SHUO	20/05/15	FILE NAME :	TITLE :	
SM1/SMI	ZHONGSHAN (CHINA)	X	CHECK	Tian Shuo	20/05/15	A-PLUG/EURO/ GENERAL/VNEU16S3	MOLDED PLUG	
VH	HANOI (VIETNAM)		APPR	Feng	20/05/15	-EURO	VNEU16S3	
B	BATAM (INDONESIA)		REV.	A	SCALE	N.T.S.		
VC	CHENNAI (INDIA)		REFERENCE :					
MANUFACTURE LOCATION MARK (' X ' IS APPLICABLE ONLY)			EUROPEAN APPROVAL					

REV.	DESCRIPTION	DATE
A	INITIAL RELEASE.	13/04/15



MARKING DETAILS :

- NOTES :**
- 1.) ALL DIMENSIONS IN mm.
 - 2.) X - CAVITY NO. (OPTIONAL)
 - 3.) XXX - MANUFACTURING LOCATION

HG	HENG GANG (CHINA)		DRAWN	LI XIA	13/04/15	FILE NAME :	TITLE :	
SM1/SMI	ZHONGSHAN (CHINA)	X	CHECK	LI XIA	13/04/15	A-CONN/EURO/ GENERAL/ VNC13S-ENEC	MOLDED CONNECTOR VNC13S	
VH	HANOI (VIETNAM)		APPR	LI XIA	13/04/15	N.T.S.		
B	BATAM (INDONESIA)		REV.	A	SCALE			
VC	CHENNAI (INDIA)		REFERENCE :					
MANUFACTURE LOCATION MARK (* X * IS APPLICABLE ONLY)			EUROPEAN APPROVAL (ENEC)					