

## FEATURES

- General purpose crocodile clip.
- Manufactured from bright mild steel.
- Large (30mm) jaw opening makes it suitable as a battery clip.
- The integral cable clamp has a secure 4mm screw fixing.
- The enhanced finger grip ensures a simple operation

# RS PRO Banana Plugs & Connectors – Crocodile Clip, 25A

RS Stock No.: 2121207



RS Professionally Approved Products bring to you professional quality parts across all product categories. Our product range has been tested by engineers and provides a comparable quality to the leading brands without paying a premium price.

## Product Description

### Crocodile Clip - Large

General purpose crocodile clip.  
Manufactured from bright mild steel.  
Large (30mm) jaw opening makes it suitable as a battery clip.  
The integral cable clamp has a secure 4mm screw fixing.  
The enhanced finger grip ensures a simple operation

## General Specifications

Clip Material	Bright Mild Steel CS4, nickel plated
Screw / Nut & Washer Material	M4 x 6mm, Steel, Nickel plated

## Electrical Specifications

Voltage Rating	50V
Current Rating	25A

## Operation Environment Specifications

Operating Temperature	-20 TO +60°C
-----------------------	--------------

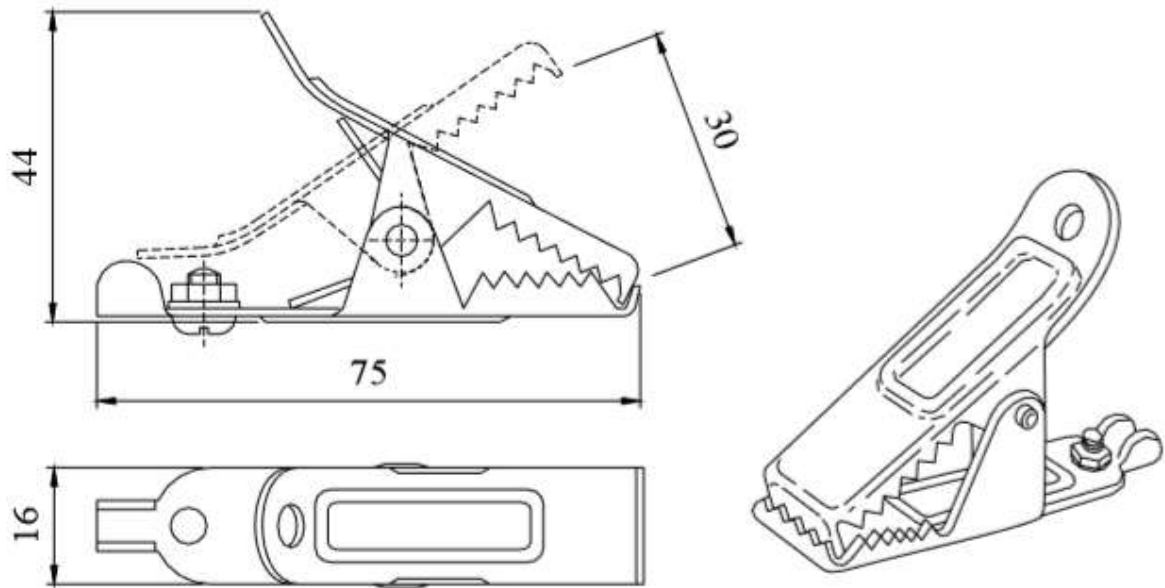
## Approvals

Declarations	RoHS Certificate of Compliance
--------------	--------------------------------

### Similar Products

Parameters	1037249	1806619	1806620
Brand	RS PRO	RS PRO	RS PRO
Type	Crocodile Clip - Standard	Crocodile Clip - Miniature Black	Crocodile Clip - Miniature Red
Current Rating	5A	8A	8A
Jaw Opening	15 mm	8mm	8mm
Contact Material	Nickel Plated Steel	Nickel Plated Brass	Nickel Plated Brass
Insulated	No	Yes	Yes
Colour	Nickel	Black	Red
Insulation Material	N/A	Polypropylene	Polypropylene

Parameters	1806619	1806620	1806615	1806616
Brand	RS PRO	RS PRO	RS PRO	RS PRO
Type	Insulating Cover for Large Crocodile Clip 1806618 - Black	Insulating Cover for Large Crocodile Clip 1806618 - Red	Insulating Cover for Standard Crocodile Clip 1037249 - Black	Insulating Cover for Standard Crocodile Clip 1037249 - Red
Colour	Black	Red	Black	Red
Insulation Material	PVC	PVC	PVC	PVC



PVC INSULATED BOOT AVAILABLE IN  
RED 310-0500 OR BLACK 310-0100  
OPERATING TEMPERATURE WITH BOOT FITTED -20 TO +60°C