

Features

- Brushed Gear motor
- Brushed Gear motor
- Heavy duty construction
- 4.5 to 15V dc voltage rating
- 12V dc constant

RS PRO Brushed DC Geared Motor

RS Stock No.: 834-7679



RS PRO Professionally Approved Products bring to you professional quality parts across all product categories. Our product range has been tested by engineers and provides a comparable quality to the leading brands without paying a premium price.

Product Description

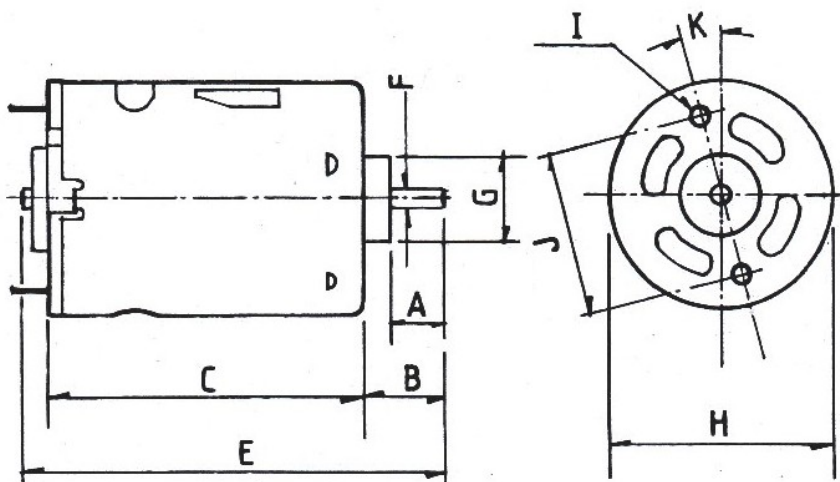
The RS PRO Brushed Gear Motor - A high quality and robust 3 pole brushed gear motor with a power rating of 12.8 W designed to deliver an impressive torque and speed. The brushed gear motor features a voltage rating of 6 to 15 V dc meaning its compatible with a variety of power sources and the speed of 5258 rpm ensures a high level of performance.

General Specifications

Output Speed	5258 rpm
Maximum Output Torque	223 gcm
Shaft Diameter	3.175mm
Length	57.1mm
Dimensions	37 (Dia.) x 57.1mm
Weight	212g

Electrical Specifications

Power Rating	12.8 W
Current Rating	1.42 A
Supply Voltage	4.5 - 15V



Stall Current RE-540LN at 6v = 10.0A

Dimensions	A	B	C	E	F	G	H	I	J
mm	5.5	9.75	57.1	69.2	3.175	14.0	37	M3	25.0