

## FEATURES

- Metric hex nuts
- To DIN934
- A4 grade 18/8 stainless steel (Type 316 S16) – long lasting
- Good resistance to corrosion and saltwater
- Easy to tighten and loosen

## RS PRO Stainless Steel Hex Nut, Plain, M20

RS Stock No.: 248-4589



RS Professionally Approved Products bring to you professional quality parts across all product categories. Our product range has been tested by engineers and provides a comparable quality to the leading brands without paying a premium price.

## Product Description

RS PRO A4 stainless steel hex nuts ideal for use in chemical processing equipment and marine environments due to its higher resistance to tarnish and corrosion. These nuts are the most common hexagonal fastener that has internal threads that screw on to the shank of a bolt or a hex cap screw. These RS PRO hex nut fasteners come in various thread sizes:

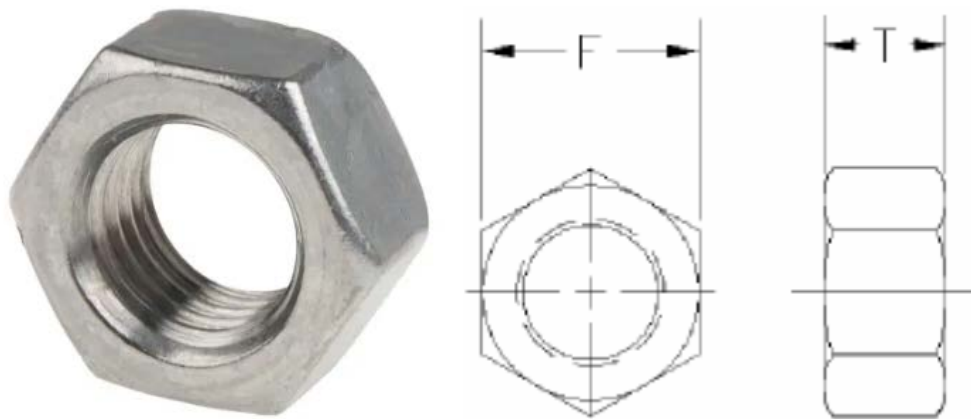
- 248-4551 – M2
- 248-4567 – M2.5
- 189-563 – M3
- 189-579 – M4
- 189-585 – M5
- 189-591 – M6
- 189-608 – M8
- 189-614 – M10
- 183-9045 – M12
- 248-4573 – M16
- 248-4589 – M20

## General Specifications

<b>Thread Size</b>	M20
<b>Material</b>	Stainless Steel
<b>Type</b>	Full
<b>Finish</b>	Plain
<b>Applications</b>	Chemical processing equipment, Marine Environments, Automotive Applications, Construction Industry, General Industry, Machinery, Workshops

## Mechanical Specifications

<b>Width</b>	30mm
<b>Stainless Steel Type</b>	316 A4
<b>Specification</b>	DIN 934
<b>Thickness</b>	16mm
<b>Thread Pitch</b>	2.5mm
<b>Width Across Flats</b>	30mm



Size	Width Across Flats (F)	Thickness (T)
M5 x .8	8.0	4.0
M6 x 1	10.0	5.0
M8 x 1.25	13.0	6.5
M8 x 1	13.0	6.5
M10 x 1.5	17.0	8.0
M10 x 1.25	17.0	8.0
M12 x 1.75	19.0	10.0
M12 x 1.25	19.0	10.0
M14 x 2	22.0	11.0
M14 x 1.5	22.0	11.0
M16 x 2	24.0	13.0
M16 x 1.5	24.0	13.0
M20 x 2.5	30.0	16.0