

## FEATURES

- For all corrosive fluids and environment
- Mechanical strength
- Operating temperature range is from - 60 °C to + 300 °C

## RS PRO Tee Male Adaptor - Center Leg 6-1/4 AISI316L

RS Stock No.: 2312722



RS PROfessionally Approved Products bring to you professional quality parts across all product categories. Our product range has been tested by engineers and provides a comparable quality to the leading brands without paying a premium price.

## Product Description

The RS PRO tee male adaptor - center leg 6-1/4 is made up of stainless steel 316L. It is a perfect solution for multiple application and connection, it's possible to connect with several rigid metallic tube in complete safety (stainless steel, brass, aluminum, copper) but also plastic made tubes like polyurethane, polyamide, Teflon. It is RoHS and REACH compliant. It has operating temperature range from - 60 °C to + 300 °C.

## General Specifications

<b>Pneumatic Fitting Type</b>	Tee Threaded Adaptor
<b>Shape Type</b>	Tee
<b>Applications</b>	Robotics, Automotive, Textile, Packaging, Handling, Compressed Air Circuit Applications

## Mechanical Specifications

<b>Connection Style</b>	Threaded-to-Tube
<b>Number of Inlet Ports</b>	1
<b>Inlet Port</b>	1/4 in Male
<b>Number of Outlet Ports</b>	2
<b>Tube Connection A</b>	BSP 1/4 Male
<b>Tube Connection A - Tube Size</b>	1/4in
<b>Tube Connection B</b>	Push In 6mm
<b>Tube Connection B – Type</b>	Push In
<b>Tube Connection B - Tube Size</b>	6mm
<b>Tube Connection D</b>	Push In 6mm
<b>Tube Connection D – Type</b>	Push In
<b>Tube Connection D - Tube Size</b>	6mm
<b>Threaded Connection</b>	1/4 in Male BSP
<b>Length 1</b>	46mm
<b>Length 2</b>	19.5mm
<b>Wrench Size 1</b>	9mm
<b>Wrench Size 2</b>	12mm

## Connectors

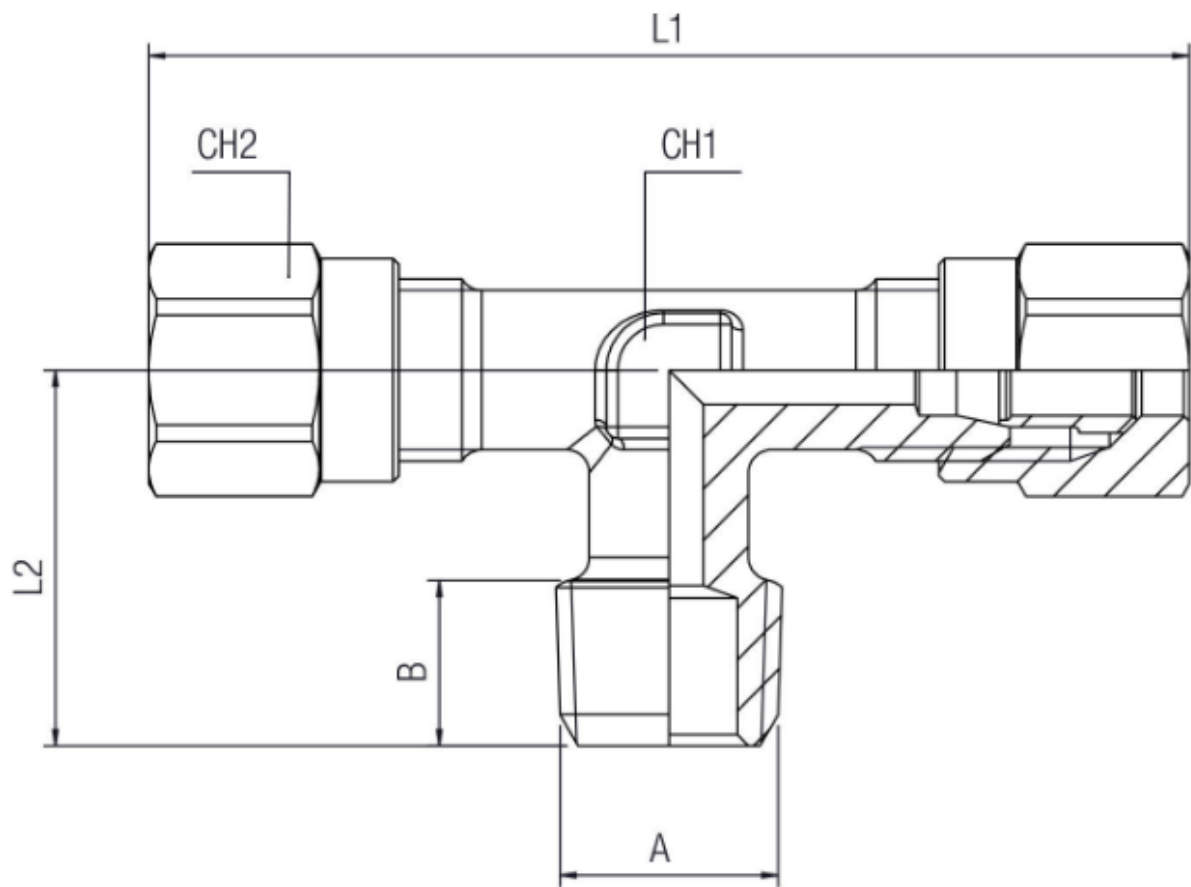
<b>Connector A</b>	BSP 1/4 Male
<b>Threaded Connection A</b>	BSP 1/4 Male
<b>Threaded Connection A – Gender</b>	Male
<b>Connector B</b>	Push In 6mm
<b>Connector D</b>	Push In 6mm

## Operation Environment Specifications

<b>Maximum Operating Temperature</b>	+300°C
<b>Minimum Operating Temperature</b>	-60°C

**Similar Products**

Parameters	2312668	2312669
<b>Brand</b>	<b>RS PRO</b>	<b>RS PRO</b>
<b>Pneumatic Fitting Type</b>	Bulkhead Threaded-to-Tube Adaptor	Bulkhead Threaded-to-Tube Adaptor
<b>Angle</b>	Straight	Straight
<b>Shape Type</b>	Straight	Straight
<b>Maximum Operating Pressure</b>	20bar	20bar
<b>Connection Style</b>	Threaded-to-Tube	Threaded-to-Tube
<b>Number of Inlet Ports</b>	1	1
<b>Inlet Port</b>	Push In 4mm	Push In 6mm
<b>Tube Connection A</b>	Push In 4mm	Push In 6mm
<b>Tube Connection A - Tube Size</b>	4mm	6mm
<b>Tube Connection B</b>	1/8 in Female	1/4 in Female
<b>Tube Connection B - Tube Size</b>	1/8 in	1/4 in
<b>Threaded Connection</b>	1/8 in Female	1/4 in Female
<b>Length</b>	29mm	33mm
<b>Wrench Size 1</b>	15mm	16mm
<b>Wrench Size 2</b>	17mm	17mm
<b>Connector A</b>	Push In 4mm	Push In 6mm
<b>Threaded Connection A</b>	4mm	6mm
<b>Connector B</b>	1/8 in Female	1/4 in Female
<b>Threaded Connection B</b>	1/8in	1/4in
<b>Threaded Connection B – Gender</b>	Female	Female



Tube	A	B	L1	L2	CH1	CH2	Pack.
6	1/4	11	46	19.5	9	12	2