

**RoHS
Compliant**



Features

- PCB
- Vertical and Right Angle

Applications

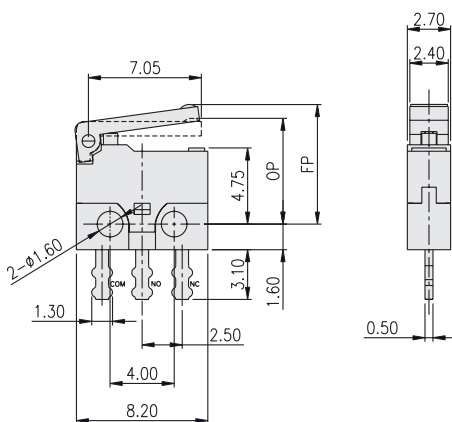
- Mapping device
- Small audio equipment
- OA equipment
- Portable electronic devices

Specifications

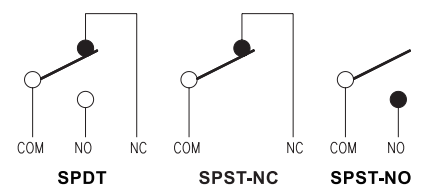
Contact Rating	: 0.5A, 30V DC
Mechanical Durability	: 100,000 cycles (60 Operations/min)
Electrical Durability	: 50,000 cycles (20 Operations/min)
Contact Resistance	: 100mΩ max.
Insulation Resistance	: 100MΩ min. (at 500V DC)
Dielectric Strength	: Between terminals of the same polarity: 250V AC(50Hz or 60Hz) shall be applied across terminals for 1 minute Between each terminal and ground: 250V AC(50Hz or 60Hz) shall be applied across terminals for 1 minute
Operating Frequency	: Mechanical: 60 operations/min max. Electrical: 20 operations/min max.
Operating Temperature	: -40°C to +85°C

Diagram

MP000792, MP000797 & MP000802



Circuit



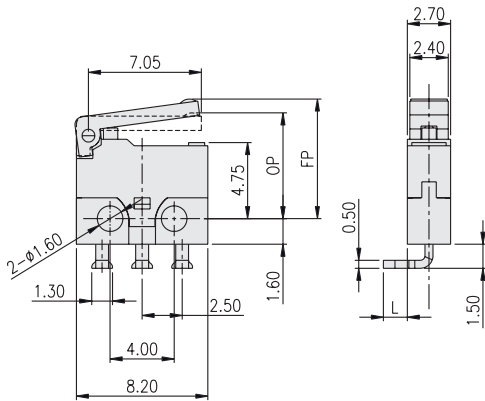
Operating Characteristics

Operating Force	: 0.5N Max.
Release Force	: 0.03N Min.
Over Travel	: 0.3mm Min.
Movement Differential	: 0.7mm Max.
Operating Position	: 6.7mm ±0.5mm
Free Position	: 8mm Max.
Pretravel	: 1.8mm Max.
Terminal Type	: Uneven Pitch

Dimensions : Millimetres

Newark.com/exclusive-brands
Farnell.com/exclusive-brands
Element14.com/exclusive-brands

MP000794, MP000799, MP000804, MP000793, MP000798 & MP000803



Operating Characteristics

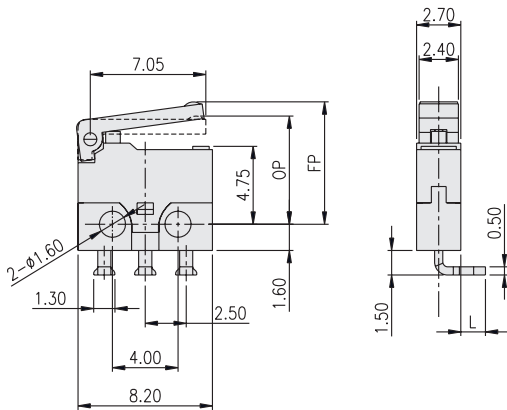
- Operating Force : 0.5N Max.
- Release Force : 0.03N Min.
- Over Travel : 0.3mm Min.
- Movement Differential : 0.7mm Max.
- Operating Position : 6.7mm ±0.5mm
- Free Position : 8mm Max.
- Pretravel : 1.8mm Max.

Short, Left Bend Terminal	
Part Number	"L"
MP000794	1.5mm
MP000799	
MP000804	

Long, Left Bend Terminal	
Part Number	"L"
MP000793	3.1mm
MP000798	
MP000803	

Dimensions : Millimetres

MP000796, MP000801, MP000806, MP000795, MP000800 & MP000805



Operating Characteristics

- Operating Force : 0.5N Max.
- Release Force : 0.03N Min.
- Over Travel : 0.3mm Min.
- Movement Differential : 0.7mm Max.
- Operating Position : 6.7mm ±0.5mm
- Free Position : 8mm Max.
- Pretravel : 1.8mm Max.

Short, Right Bend Terminal	
Part Number	"L"
MP000796	1.5mm
MP000801	
MP000806	

Long, Right Bend Terminal	
Part Number	"L"
MP000795	3.1mm
MP000800	
MP000805	

Dimensions : Millimetres

Part Number Table

Description	Part Number
Microswitch, Hinge Lever, 0.5A, 30V DC, SPDT, Through hole	MP000792
Microswitch, Hinge Lever, 0.5A, 30V DC, SPDT, Through hole	MP000793
Microswitch, Hinge Lever, 0.5A, 30V DC, SPDT, Through hole	MP000794
Microswitch, Hinge Lever, 0.5A, 30V DC, SPDT, Through hole	MP000795
Microswitch, Hinge Lever, 0.5A, 30V DC, SPDT, Through hole	MP000796
Microswitch, Hinge Lever, 0.5A, 30V DC, SPST-NC, Through hole	MP000797
Microswitch, Hinge Lever, 0.5A, 30V DC, SPST-NC, Through hole	MP000798
Microswitch, Hinge Lever, 0.5A, 30V DC, SPST-NC, Through hole	MP000799
Microswitch, Hinge Lever, 0.5A, 30V DC, SPST-NC, Through hole	MP000800
Microswitch, Hinge Lever, 0.5A, 30V DC, SPST-NC, Through hole	MP000801
Microswitch, Hinge Lever, 0.5A, 30V DC, SPST-NO, Through hole	MP000802
Microswitch, Hinge Lever, 0.5A, 30V DC, SPST-NO, Through hole	MP000803
Microswitch, Hinge Lever, 0.5A, 30V DC, SPST-NO, Through hole	MP000804
Microswitch, Hinge Lever, 0.5A, 30V DC, SPST-NO, Through hole	MP000805
Microswitch, Hinge Lever, 0.5A, 30V DC, SPST-NO, Through hole	MP000806

Important Notice : This data sheet and its contents (the "Information") belong to the members of the AVNET group of companies (the "Group") or are licensed to it. No licence is granted for the use of it other than for information purposes in connection with the products to which it relates. No licence of any intellectual property rights is granted. The Information is subject to change without notice and replaces all data sheets previously supplied. The Information supplied is believed to be accurate but the Group assumes no responsibility for its accuracy or completeness, any error in or omission from it or for any use made of it. Users of this data sheet should check for themselves the Information and the suitability of the products for their purpose and not make any assumptions based on information included or omitted. Liability for loss or damage resulting from any reliance on the Information or use of it (including liability resulting from negligence or where the Group was aware of the possibility of such loss or damage arising) is excluded. This will not operate to limit or restrict the Group's liability for death or personal injury resulting from its negligence. Multicomp Pro is the registered trademark of Premier Farnell Limited 2019.