

Datasheet

RS Pro 21.8mm Plain Stainless Steel Flanged Hex Nut, M10, A2

RS Stock No: **725-9653**



Product Details

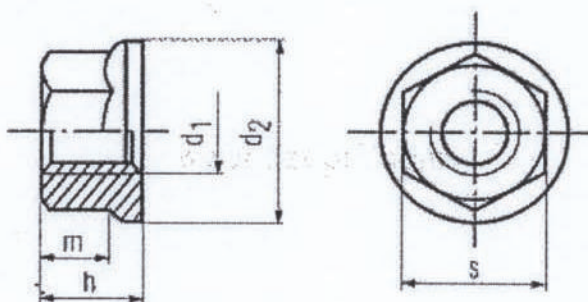
RS Pro flange hexagonal nut made of A2 grade stainless steel offers corrosion resistance. The nut has a flange diameter of 21.8 mm. It features M10 metric threading to couple with threaded rod. The nut meets all the requirements of DIN6923 standards.

Features and Benefits

- Made of A2 grade stainless steel
- M10 metric threading
- Plain faced flange
- Meet the requirements of DIN6923 standards

Specifications:

Finish	Plain
Flange Diameter	21.8 mm
Material	Stainless Steel
Overall Height	10 mm
Stainless Steel Type	A2
Thread Size	M10
Specification	DIN 6923
Type	Unserrated
Width Across Flats	15 mm



All measurements in millimeters (mm)

d ₁	d ₂	s	h
M3	8	5.5	3.7
M4	10	7	4.5
M5	11.8	8	5
M6	14.2	10	6
M8	17.9	13	8
M10	21.8	15	10
M12	26	18	12
M14	29.9	21	14
M16	34.5	24	16
M20	42.8	30	20

*All information is strictly informative

MATERIAL: STAINLESS STEEL GRADE A2