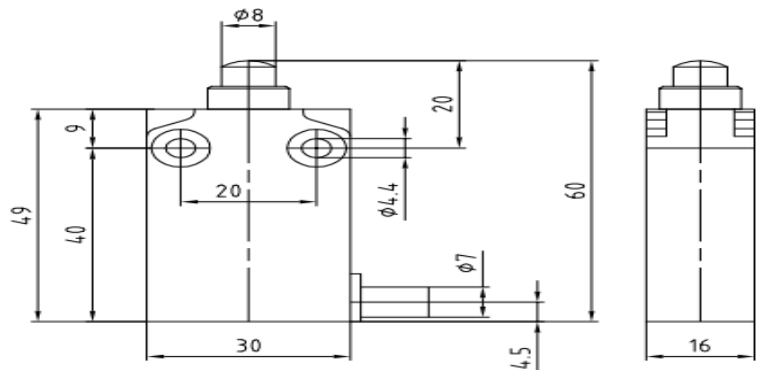
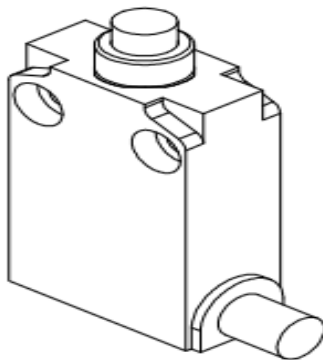


Datasheet

Limit Switch

RS Stock number 902-6944



Description:

Pre-wired, Double insulation, Plastic Casing IP67, 30mm width
 PVC Cable 4x0.75mm², 1mt length
 Plain plunger
 Z : Snap action contacts (1NO+1NC)

Specification:

Standards		Plastic Casing	
		Devices conform with international IEC 947-5-1 and European EN 60 947-5-1 standards	
		UL (upon request) - IMQ	
Certifications - Approvals			
Air temperature near the device			
- during operation	°C	- 25 ... + 70	
- for storage	°C	- 40 ... + 70	
Mounting positions		All positions are authorized	
Protection against electrical shocks (according to IEC 536)		Class II	
Degree of protection (according to IEC 529 and EN 60 529)		IP 67	
Degree of protection (according to UL50)		Type 1 enclosure ("indoor use only")	
Rated insulation voltage U_i		400 V (degree of pollution 3) (250 V for M12 connector) B 300, R 300	
- according to IEC 947-1 and EN 60-947-1			
- according to UL 508 and CSA C22-2 n° 14			
Conventional free air thermal current I_{th}		A	10 (4A for M12 connector)
(according to IEC 947-5-1 and EN 60 947-5-1) θ < 40 °C			
Short-circuit protection		A	10 (4A for M12 connector)
Rated operational current			
U _e < 500 V a.c. - gG (gl) type fuses			
I_e / AC-15 (according to IEC 947-5-1)		24 V - 50/60 Hz	A
		240 V - 50/60 Hz	A
			10 (4A for M12 connector)
I_e / DC-13 (according to IEC 947-5-1)		24 V - d.c.	A
		125 V - d.c.	A
		250 V - d.c.	A
			3
			2.8
			0.22
			0.27
Switching frequency		Cycles/h	3600
Load factor			0.5
Resistance between contacts		mΩ	< 25
Mechanical durability			10 Millions of operations

For the complete list of approved products contact our technical department.

IMQ listed values