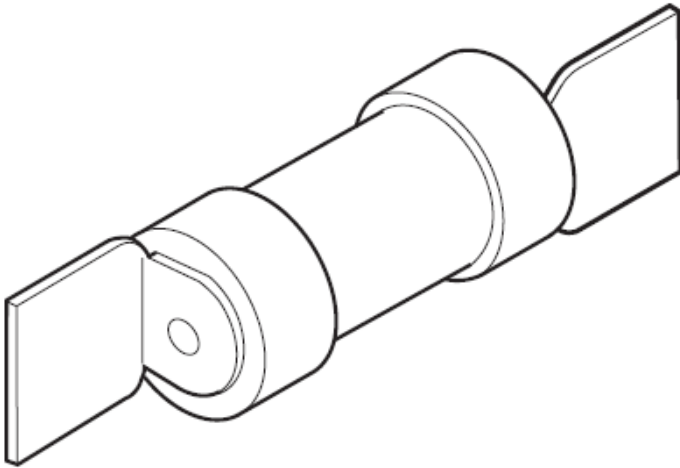


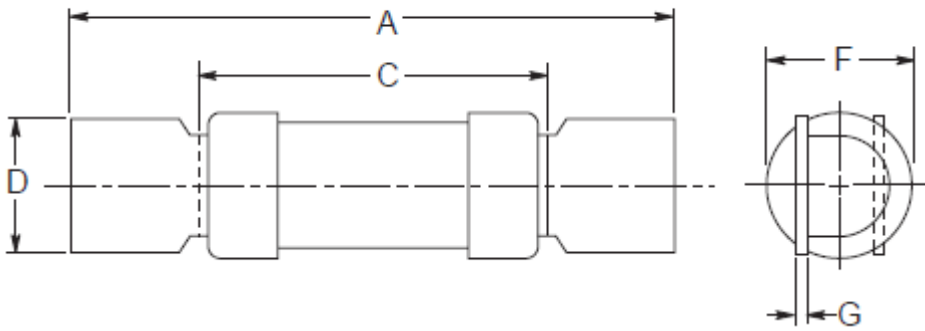
# Datasheet

## Industrial HRC Fuse Link

RS Stock number 521-2810



### Dimensional Data:



Dimensions - mm

S/N	Amp Rating	Pre-arcing	Total @ 415V	Watts Loss	Rated Voltage (AC)	A	C	D	F	G
521-2810	2	0.8	1	0.5	240	47.0	23.0	12.7	12.0	0.8
521-2832	4	5.4	8	1	240	47.0	23.0	12.7	12.0	0.8
521-2848	6	15	22	1.6	240	47.0	23.0	12.7	12.0	0.8
521-2854	10	28	42	1.2	240	47.0	23.0	12.7	12.0	0.8
521-2860	16	160	250	1.5	240	47.0	23.0	12.7	12.0	0.8
521-2876	20	293	450	1.7	240	47.0	23.0	12.7	12.0	0.8

Time-Current Characteristic Curve (Full Size Curves Available)

