

## Datasheet

# 90dB Piezo PCB Transducer

RS Stock number [485-8869](#)

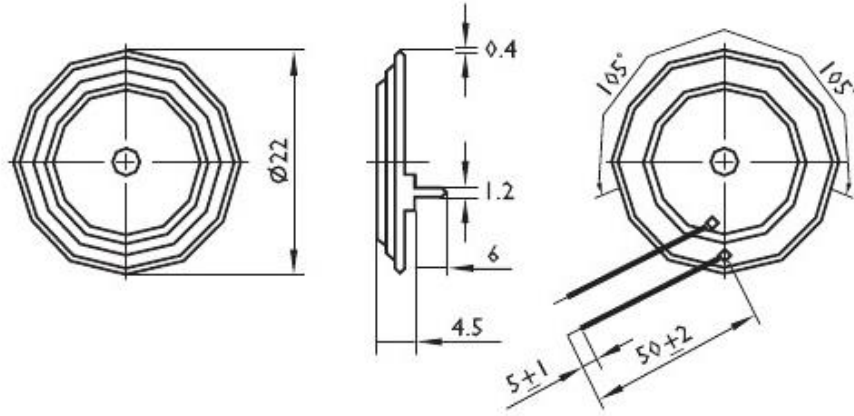


### Specifications:

Rated voltage (Vp-p square wave):	15Vp-p
Operating Voltage:	1-30Vp-p
Rated Current at Rated Voltage:	≤5mA
Sound Output at 4300Hz at 10cm at Rated Voltage:	≥90dB
Resonant Frequency:	4300±500Hz
Operating Temperature:	-20°C to +60°C
Storage Temperature:	-30°C to +70°C
Lead Wire:	UL1571 AWG32
Leads:	Fitted with Flying Leads
Weight:	2g
Housing Material:	Brass
Drive Type:	External
Mounting Type:	Panel Mount
Tone Type:	Continuous

Please note that this product requires additional electronic circuitry to operate as a sounder.

Dimensions:



Dimensions Unit: mm

Tolerance:  $\pm 0.5\text{mm}$