

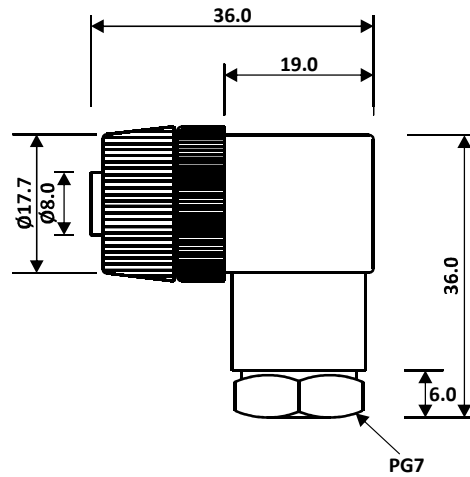


ENGLISH

Datasheet

Stock No. 1863097

RS PRO Connector Assembly



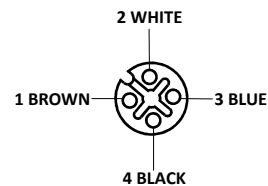
M12 Female Right Angle

All dimensions are in mm.

General Specification

Rated Operational Voltage	250 V
Current Rating	4A
Insulation Resistance	$\geq 100 \text{ M}\Omega$
Temperature Range	$-25^\circ\text{C} \dots +75^\circ\text{C}$
Degree of Protection	IP67

Pin Diagram



Material Specification

Grip Material	Nylon 66
Contact	Cu-Zn
Contact Plating	Gold Plated
Contact Carrier	Nylon 66
O-Ring	Neoprene
Grip Colour	Black
Termination	Screw Type
Pole	4
Cable Gland	PG7
Coupling Nut	Nylon 66

Specifications are subject to change without notice.



Type Approved
Safety
Regular Production
Surveillance

www.tuv.com
ID: 1111210482

