

Datasheet

RS Pro Steel Straight Edges DIN874/2

RS Stock No: 877-1785



Specifications:

Deviation of flatness to DiN 874/2 & VDI/VDE/DGQ 2618

Marked with supporting points on side face

Working surfaces and side faces are fine ground

All straight edges individually marked with serial number

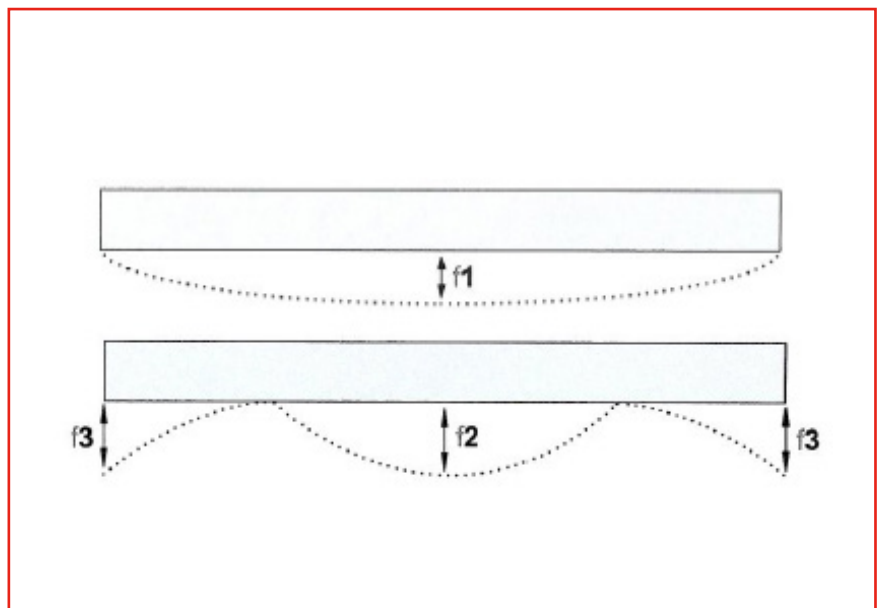
Order Code	Length	Height	Thickness	Weight	Tol. μm
877-1785	500mm	30mm	6mm	1000g	21

Order Code	Manufacturers Code	Description
877-1785	59-010-050	Steel Straight Edge 500mm

Datasheet

RS Pro Steel Straight Edges DIN874/2

RS Stock No: 877-1785



Deflection:

The deflection data is statistically calculated and only approximate for the two shown ways

f1: Worst Support, highest deflection

f2 & F3: Best Support: Used when the deviation of flatness of the Straight Edge is measured to DIN 874 and VDI/VDE/DGQ 2618

Position of the Support Points / Airie Points:

From each end = $0.22 \times$ length of straight edge

Order Code	Deflection f1	Deflection f2	Deflection f3
877-1785	4	0	0