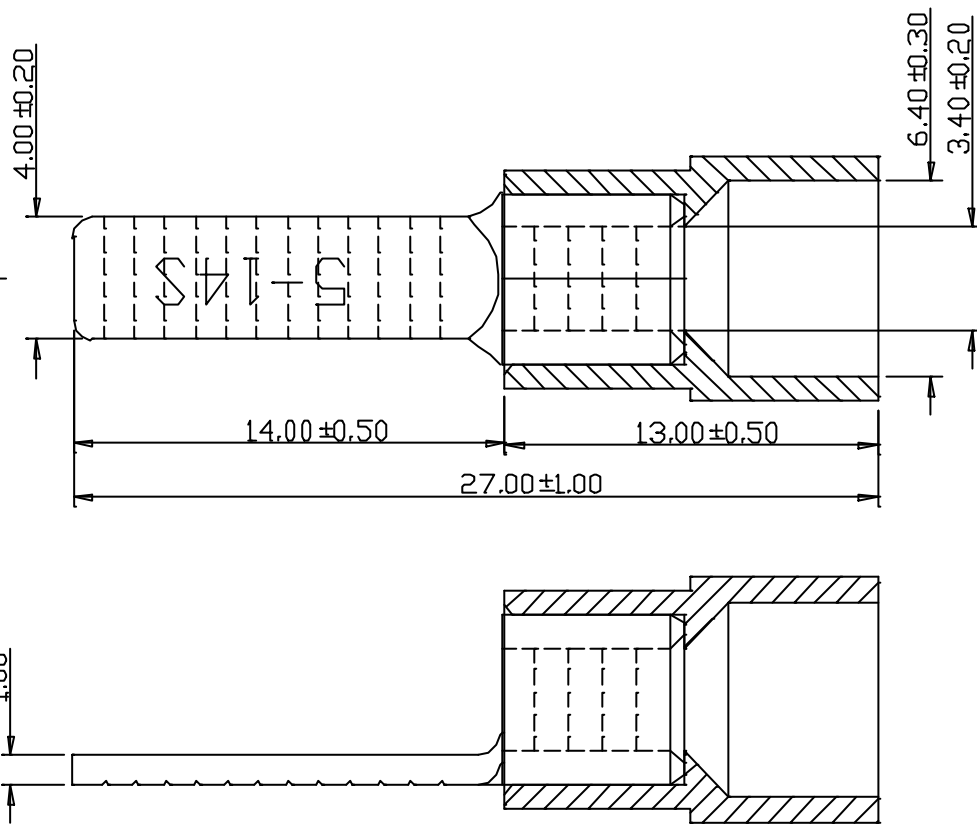
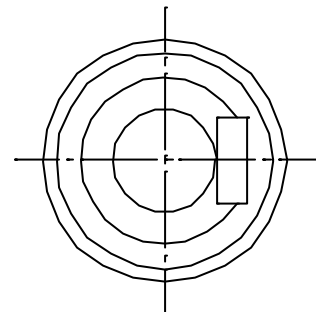


REV	DESCRIPTION	DATE
-----	-------------	------



- NOTE:
1. MAXIMUM ELECTRIC CURRENT:  

A.W.G.	12	10
AMP.	35	50
  2. MAXIMUM ELECTRICAL RATING:  
75°C 600 VOLTS MAX.
  3. INSULATION MATERIAL: VINYL
  4. INSULATION COLOR: YELLOW
  5. TERMINAL MATERIAL: COPPER
  6. WIRE RANGE: 12-10A.W.G. (4-6mm<sup>2</sup>)

Tolerance Unless Otherwise Specified	
0 >	MM ± ANGLE
>	MM ± 0° REF ±
>	MM ± ° ±
>	MM ± ° ±

NAME	VINYL-INSULATED BLADE TERMINALS	UNIT	mm	
PART NO.	DBVYS5-14@	MATERIAL	APPROVE	
NUMBER	TNV-1023	SCALE	SHEET	PAGE
DATE	09/07/2005	4 : 1	1-0	1 OF 1
			DRAWN	

1  
2  
3  
4  
5  
6

1  
2  
3  
4  
5  
6

A B C D E F G H