



ENGLISH

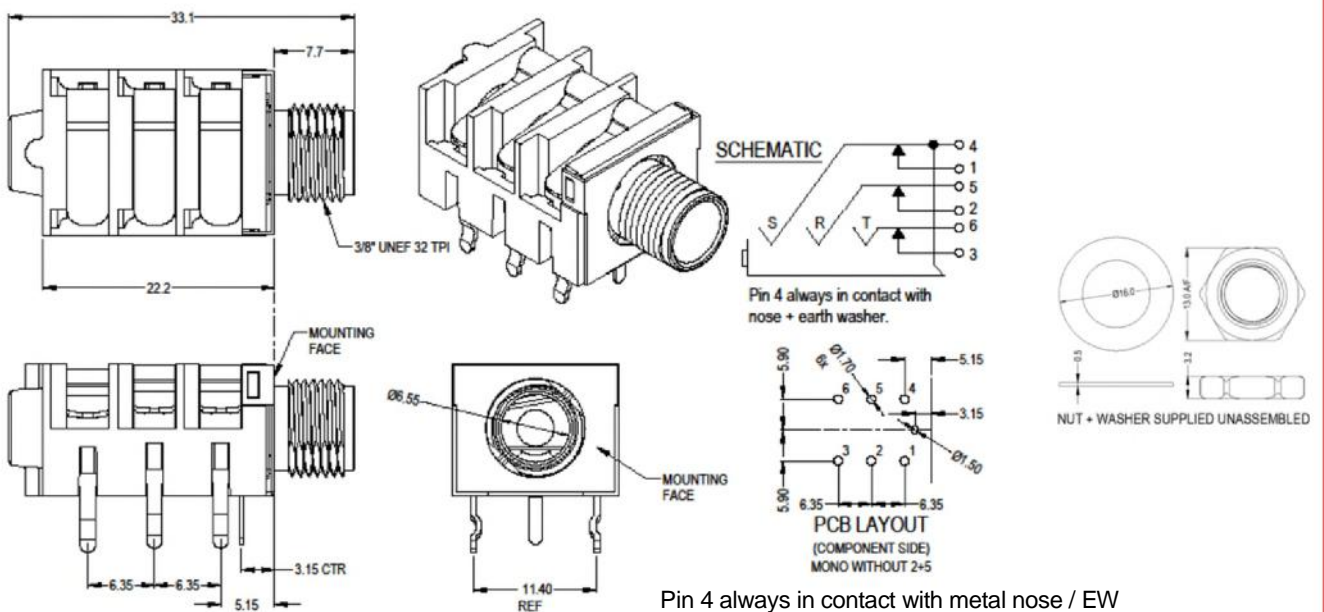
Datasheet

RS PRO 6.35 mm PCB Mount Stereo Jack Socket

Stock No: 175-0155



This 6.35mm Stereo jack socket has a metal nose and removable front earth washer. The body material is PBT UL V0 with an aluminium nose, and the contact material is brass / nickel plated. It has kinked PC legs for easy board assembly and is supplied with a washer and nut separate.



rspro.com