

FEATURES

- Cable length is 2m
- Insulation Resistance $\geq 100 \text{ M}\Omega$
- Un-terminated and partially stripped wire
- Brass nickel plated coupling nut

RS PRO M08 FEMALE CONNECTOR ASSEMBLY 4 PIN 4 WIRE RIGHT ANGLE 2m 0.25 sq. mm PVC GREY CABLE

RS Stock No.: 2121693



RS Professionally Approved Products bring to you professional quality parts across all product categories. Our product range has been tested by engineers and provides a comparable quality to the leading brands without paying a premium price.

Product Description
ATTRIBUTE 1

RS PRO M08 CONNECTOR ASSEMBLY

M8 Single Ended Cable Assembly

Brought to you under the trusted RS Brand, this range of M8 connector cable assemblies are commonly used in sensor and automation equipment. Boasting a high degree of environmental protection, they are ideal for industrial use. Fitted with a secure coupling nut, these RS M8 Connector Cable Assemblies are left un-terminated and partially stripped at one end, and are an ideal solution for when secure and reliable data transference is needed.

Features and Benefits:

- Wire is un-terminated and partially stripped
- Insulation Resistance $\geq 100 \text{ M}\Omega$
- Neoprene O-Ring
- Brass nickel plated coupling nut

General Specifications

Rated Operational Voltage	30 V
Current Rating	4A
Insulation Resistance	$\geq 100 \text{ M}\Omega$
Temperature Range	-25°C ... +75°C
Coding	A-Coded

Material Specifications

Grip Material	PU
Contact	Cu-Zn
Contact Plating	Gold Flash
Contact Carrier	Nylon 66
Grip Color	Black
Coupling Nut	Brass Nickel-Plated

Cable Specifications

Cable Length-L	2 m
Cable Type	4 Core PVC Multi Strand
Sheath Color	Grey
Cross Section of Wire	0.25 sq. mm
Core Dia	1.25 mm

RS PRO M08 CONNECTOR ASSEMBLY

Cable Dia	4.8 ± 0.1 mm
Termination	Partially Stripped

Protection Category

Degree of Protection	IP67
----------------------	------

Additional Information

Custom Tariff Number	85369090
----------------------	----------

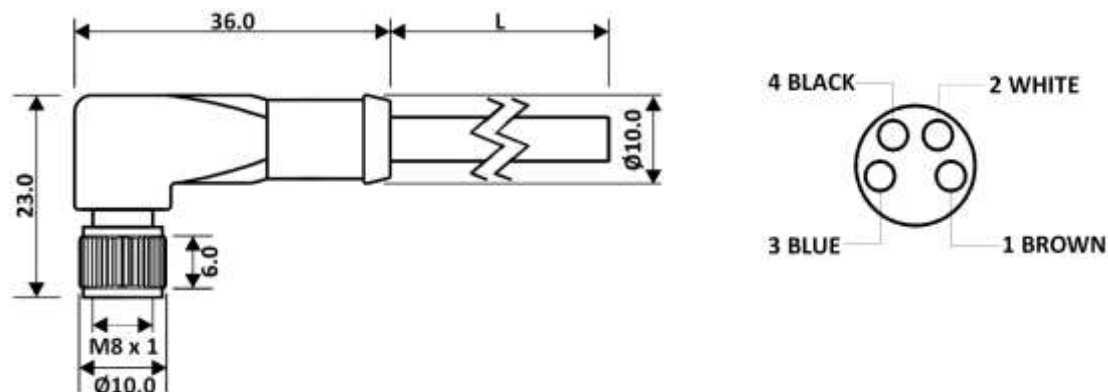
Approvals

Standards Met	
---------------	--

Similar Products

Stock No.	Brand	Product Name	Attribute 1	Attribute 2
186-3122	RS PRO	M8 Single Ended Cable Assembly	Industrial Automation Cable Assemblies	Actuator/Sensor Cable

Connection Diagrams / Assembly Diagrams / Illustrations / Accessories



All Dimensions are in mm.