

FEATURES

- Made of PC
- Lid made of transparent PC
- Available in light gray colour
- Protection against liquids and solid objects: IP65 rating
- Supplied with silicone gasket and four screws
- Threaded brass inserts for reliable assembly.

RS PRO Hermetic Enclosures

RS Stock No.: 2384043



RS Professionally Approved Products bring to you professional quality parts across all product categories. Our product range has been tested by engineers and provides a comparable quality to the leading brands without paying a premium price.

Product Description

Hermetic enclosure ideal for applications requiring protection against water ingress. Supplied with silicon gasket that provides IP65 rating. Lid manufactured with recess for membrane keypads and overlays. Threaded brass inserts ensures reliable assembly of the enclosure. It can be mounted on walls and other surfaces using mounting ears.

General Specifications

| | |
|--------------------|--------------------------------|
| Type | Full With lug (U) |
| Material | PC |
| Colour | Lightgray with transparent lid |
| Accessories | Screw M3 17/10 – 4 psc |
| Mounting | Wall mount |

Mechanical Specifications

| | |
|---------------|-----------------------|
| Height | 60.1 mm |
| Width | 121.5 mm |
| Length | 180.05 mm (211.45 mm) |
| Gasket | Silicone Gasket |

Protection Category

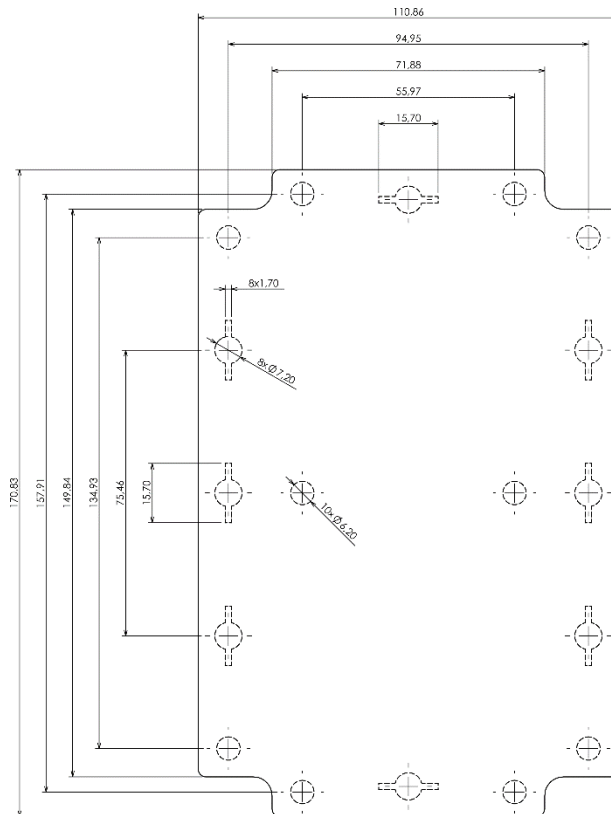
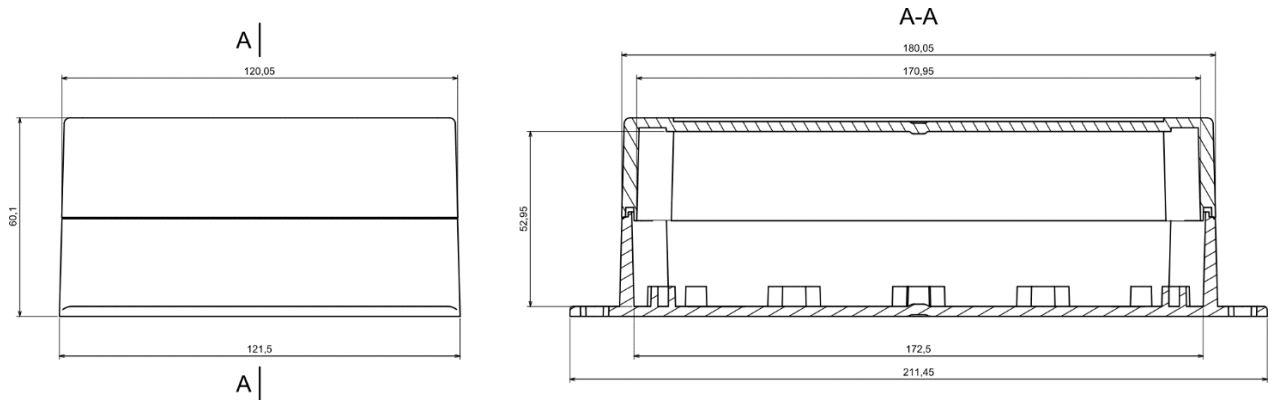
| | |
|-------------------------|------|
| Protection level | IP65 |
|-------------------------|------|

Approvals

| | |
|----------------------|----------------|
| Declarations | CE |
| Standards Met | RoHS Compliant |

Similar Products

| Stock No. | Brand | Product Name | Colour | Material |
|-----------|--------|--------------|-----------|----------|
| 1920699 | RS PRO | Hermetic | Lightgrey | ABS |
| 2069094 | RS PRO | Hermetic | Lightgrey | ABS |



Dashed line shows outline of the mounting boss under PCB board
 Recommended mounting holes diameter $\varnothing 4\text{mm}$
 All dimensions are given within $\pm 0.5\text{mm}$ tolerance