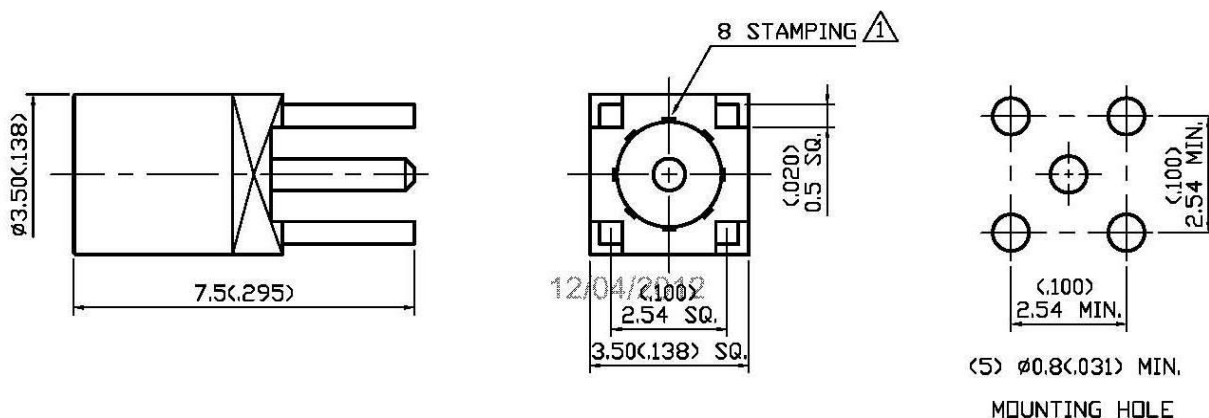


NO	DESCRIPTION	DATE
①	BACKGROUND FORMAT UPDATED ADD 8 STAMPING	08.08.02'
②	MODIFICATION NOTES 4.	10.19.04'
③	BACKGROUND FORMAT UPDATED	08.15.08'
④	WORKING VOLTAGE —— VOLTAGE RATING DEL PROOF VOLTAGE	12.04.12'



### 1.0 ELECTRICAL

- 1.1 FREQUENCY RANGE: DC-8 GHz
- 1.2 NOMINAL IMPEDANCE: 50 OHMS
- 1.3 VOLTAGE RATING: 250 VOLTS MAX. ④
- 1.4 VSWR: 1.22 MAX.

### 2.0 MATERIALS

- 2.1 BODIES: BRASS PER JIS-C3604
- 2.2 CENTER CONTACT: BERYLLIUM COPPER PER ASTM B196 UNS C17300
- 2.3 INSULATION: TEFLON PER ASTM D1457 AND ASTM D1710

### 3.0 FINISHES AND OTHERS

- 3.1 SEE BELOW TABLE FOR DETAILS.

### 4.0 MECHANICAL

- 4.1 INTERFACE IN ACCORDANCE WITH: BS EN 122340 ②

### 5.0 ENVIRONMENTAL

- 5.1 OPERATING TEMPERATURE RANGE: -55° C TO +155° C

APPROVED by \_\_\_\_\_ DATE: \_\_\_\_\_



NO	DESCRIPTION	MATERIAL	Q'TY	FINISH
3	CENTER CONTACT	BERYLLIUM COPPER	1	GOLD 30 μ" MIN.
2	INSULATION	TEFLON	1	NONE
1	BODY	BRASS	1	GOLD 3 μ" MIN.

DESCRIPTION		MMCX STRAIGHT PCB MOUNT JACK RECEPTACLE						
製圖	DRAWN	TOLERANCE	品名	37-06-3 T.G.G	日期	DATE	版次	REV.
	Yoko							
檢圖	CHECK	TOLERANCE	單位	DWG.NO.	37-0014			
	Arc					.XX ±0.1	mm(In)	
認定	APPROVAL	TOLERANCE	比例					
	Angela			.XXX ±0.05	SCALE			
		ANGLE	8:1					