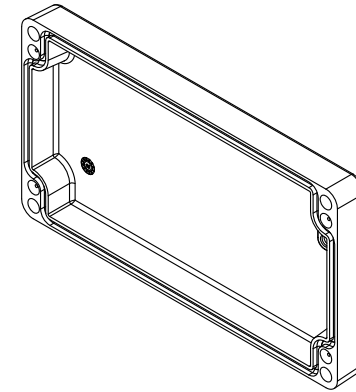
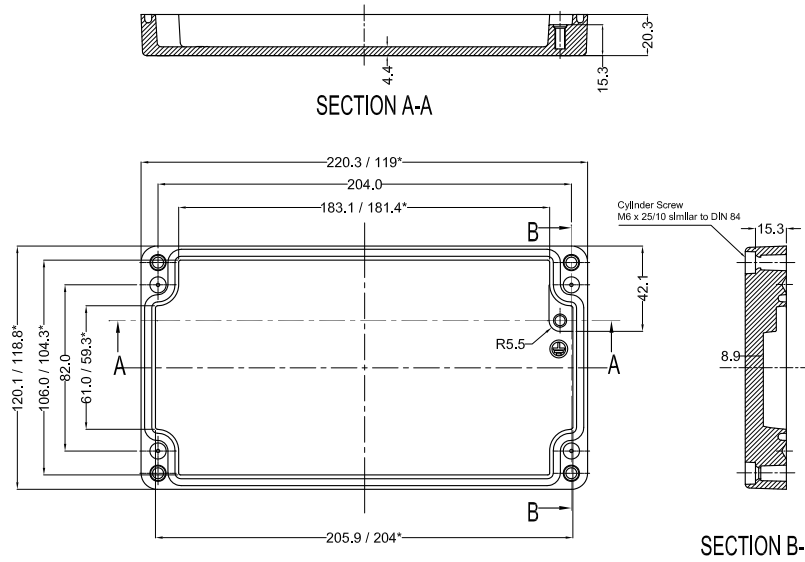
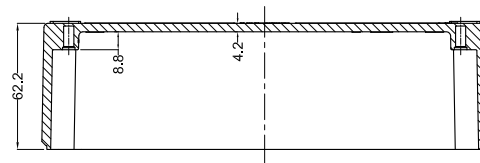
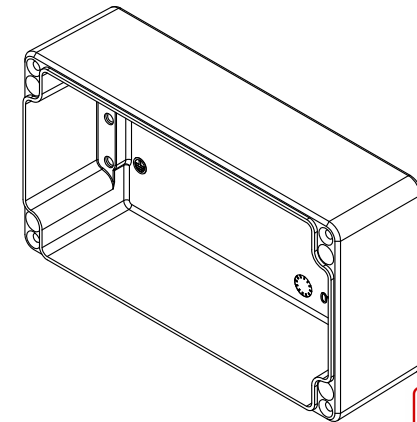
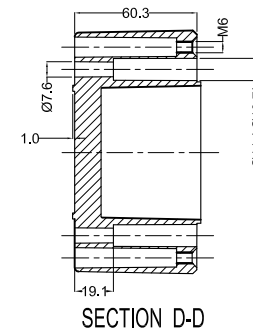
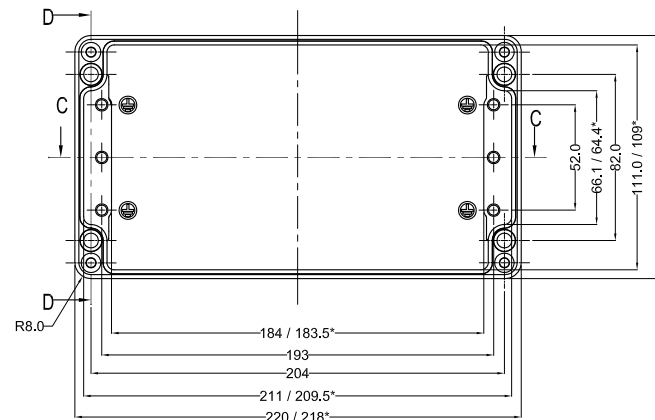


* = Conical form tapering downward.
 Untoleranced dimensions per GTA 13/5 - DIN 1688

LID



BASE



SECTION C-C



QUANTITY 1	MATERIAL :- ALs112 (Din230)	MACH.NAME -	DATE 30/04/12	SIGN MANOJ	NAME DRAWN
	WEIGHT: -	FINISH: NATURAL	DATE 30/04/12	SIGN PAVAN	NAME CHECKED
TOLERANCE		TITLE :- JUNCTION BOX 220 x 120 x 81		SIGN S. D.	NAME APPROVED
±0.2	DIMENSIONS	SCALE			
±0.2	HOLES	ALL DIMENSION ARE IN MM			
±1.0°	ANGLES	-			