

HMIS85

Small touchscreen display HMI, Harmony SCU,
5in7 front module Backlight LED Color TFT
LCD



Main

Range of product	Harmony SCU
Product or component type	Small touchscreen display HMI
Display size	5.7 inch
Pixel resolution	320 x 240 pixels QVGA

Complementary

Display type	With backlit LED colour TFT LCD
Touch panel	Analogue
Backlight lifespan	50000 hours with 65536 colours
Brightness	16 levels via touch panel
View angle horiz x vert	60° left 60° right 40° top 60° bottom
Character font	Korean Chinese (simplified Chinese) ASCII Taiwanese (traditional Chinese) Japanese (ANK, Kanji)
Height	129.15 mm
Width	163 mm
Depth	129.4 mm
Net weight	0.405 kg

Environment

Product certifications	UKCA
------------------------	------

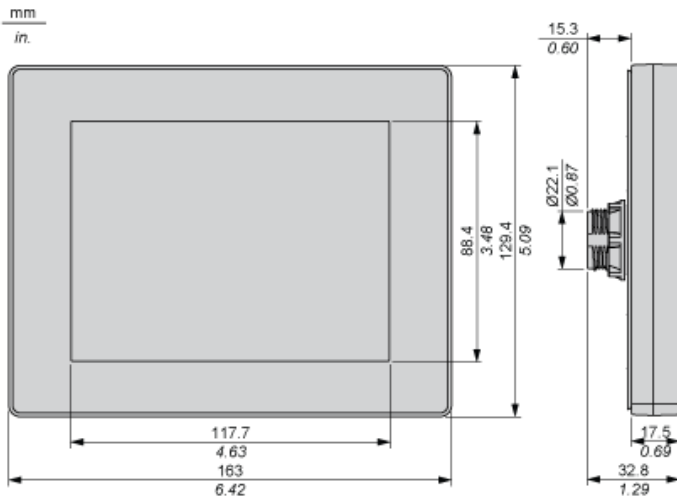
Packing Units

Unit Type of Package 1	PCE
Number of Units in Package 1	1
Package 1 Height	18.4 cm
Package 1 Width	5.6 cm
Package 1 Length	26.7 cm
Package 1 Weight	660 g

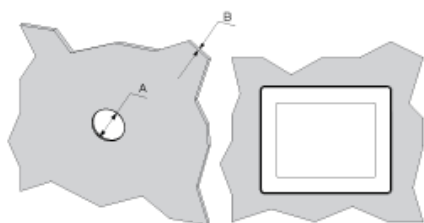
Offer Sustainability

Sustainable offer status	Green Premium product
REACH Regulation	REACH Declaration
EU RoHS Directive	Pro-active compliance (Product out of EU RoHS legal scope)
Mercury free	Yes
China RoHS Regulation	China RoHS Declaration
RoHS exemption information	Yes
Environmental Disclosure	Product Environmental Profile
Circularity Profile	End Of Life Information
WEEE	The product must be disposed on European Union markets following specific waste collection and never end up in rubbish bins
Upgradeability	Upgradeable through digital modules and upgraded components

Dimensions of 5.7-inches Display Module

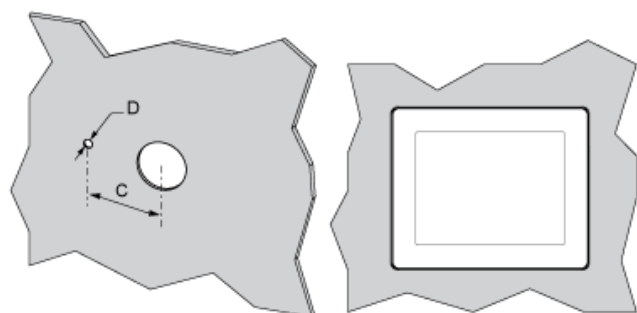


Mounting Without an Anti-Rotation Tee



A	B (1)	B (2)
22.50 ^{0/-0.30} mm (0.88 ^{0/-0.01} in.)	1.5...6 mm (0.06...0.23 in.)	3...6 mm (0.11...0.23 in.)

Mounting With an Anti-Rotation Tee



C	D
30 ^{0/-0.20} mm (1.18 ^{0/-0.0007} in.)	4 ^{0/-0.20} mm (0.15 ^{0/-0.0007} in.)