

EX-PROOF LED PENDANT LIGHT

SXPL Series



TECHNICAL INFORMATION

| | |
|----------------------|--|
| Certification | ATEX and IECEx approvals certified by CSA and Sira for Zones 1/2 & 21/22 applications Ex db op is IIC T6 Gb and Ex tb op is IIIC T85°C Db IP66 Ingress Protection |
| Housing | Marine grade seawater resistant aluminium alloy body with anti-corrosion powder coating Borosilicate glass diffuser Stainless steel protection guard and external fasteners RAL5002 Ultramarine blue colour |
| Electric | AC100V, AC240V or DC24V options Power factor >0.97 |
| Lifespan | Long LED service life of 50,000 hours |
| Connection | 4x M20 cable entries Supplied with 1x M20 Ex de cable gland for 11.5mm to 16mm diameter cables with steel wire, aluminium, braided and tape armour, and 3x Ex de stopper plugs Option for additional cable glands or glands for non-armoured cable |
| Beam Angle | 160° |
| EMC | IEC 60533 electromagnetic compatibility to all maritime vessels and offshore MDUs |

CERTIFICATIONS

ATEX Directive (2014/34/EU)

CSANe 21ATEX1065X

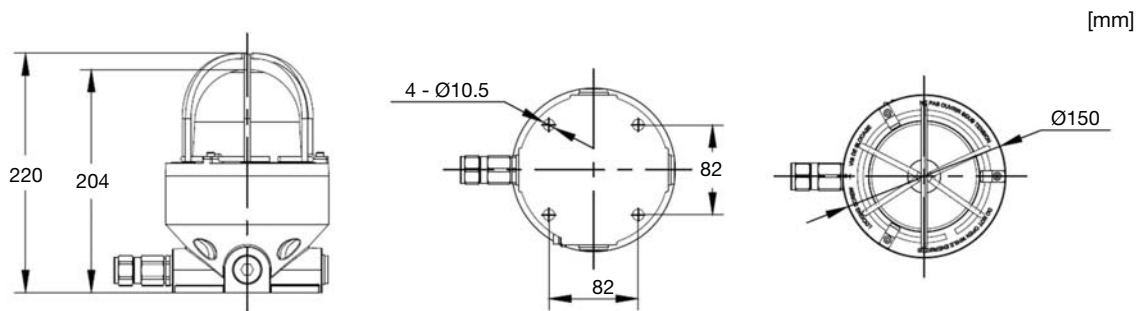
IECEX SIR 21.0015X

 II 2 GD

Ex db op is IIC T6 Gb

Ex tb op is IIIC T85°C Db

MEASUREMENTS



ORDER CODES

Ideal Replacement:



| Item Code | Type | Main Voltage | Power | CCT | Ambient Temp (Ta) | System Lumen |
|------------|----------|----------------|-------|-------|-------------------|--------------|
| CLSXPL13A2 | SXPL13A2 | 220V - 240V AC | 13W | 5000K | -25°C ~ +50°C | 900lm |
| CLSXPL12A1 | SXPL12A1 | 100V - 120V AC | 12W | 5000K | -25°C ~ +50°C | 900lm |
| CLSXPL10D | SXPL10D | 24V DC | 10W | 5000K | -25°C ~ +50°C | 900lm |