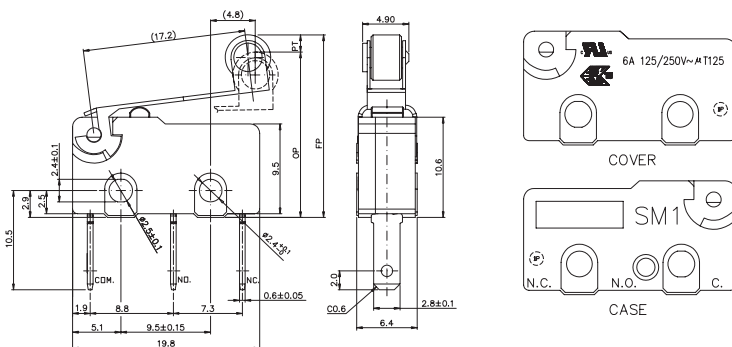


## Specifications

Circuit Arrangement	: SPDT (Single pole double throw)
Rating	: 6A 125/250V AC; 5A 30V DC
Service Life	: Min. 10000 operations
Rating Load	: Resistive Load
Operating Frequency	: 10~30 operations per minute
Mechanical Service Life	: Min. 5000000 operations
Operating Frequency	: Max. 120 operations per minute
Operating Temperature	: -40°C to +125°C
Vibration Resistance	: 10~55Hz, displacement 0.75mm (p-p)

Initial Contact Resistance	: 300mΩ Max. (Measured by ohm meter - Open Voltage <1V DC, Driver Current - 100mA) Before measure the switch three times on and off.
Initial Dielectric Strength	: 500V AC (50-60Hz)/minute between contacts. 1,500V AC (50-60Hz)/minute between live-parts and dead metal parts
Insulation Resistance	: Min 100MΩ (500V DC/minute) between live-parts and dead metal parts
Shock Resistance	: Destruction: 1,000m/s <sup>2</sup> (approx. 100G) Max.
Malfunction	: 300m/s <sup>2</sup> (approx. 30G) Max.
Soldering by Hand	: 350°C Maximum within 5 seconds
Soldering Bath	: 260°C Maximum within 5 seconds
Operating Force	: 35gf Max.
Free Position	: 21mm Max.
Operating Position	: 17.9 ±1mm
Movement Differential	: 0.9mm Max.
Over-Travel	: 0.55mm Min.
Pre-Travel	: 4.05mm Max.

## Diagram



Dimensions : Millimetres

## Part Number Table

Description	Part Number
Micro Switch, SPDT, 6A	26-19010

**Important Notice :** This data sheet and its contents (the "Information") belong to the members of the AVNET group of companies (the "Group") or are licensed to it. No licence is granted for the use of it other than for information purposes in connection with the products to which it relates. No licence of any intellectual property rights is granted. The Information is subject to change without notice and replaces all data sheets previously supplied. The Information supplied is believed to be accurate but the Group assumes no responsibility for its accuracy or completeness, any error in or omission from it or for any use made of it. Users of this data sheet should check for themselves the Information and the suitability of the products for their purpose and not make any assumptions based on information included or omitted. Liability for loss or damage resulting from any reliance on the Information or use of it (including liability resulting from negligence or where the Group was aware of the possibility of such loss or damage arising) is excluded. This will not operate to limit or restrict the Group's liability for death or personal injury resulting from its negligence. Multicomp Pro is the registered trademark of Premier Farnell Limited 2019.