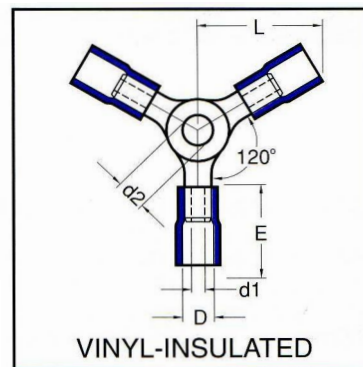


Datasheet

RS Pro Insulated Crimp Ring Terminal, 4 mm, #8 Stud Size, 1.5mm² to 2.5mm², 16AWG to 14AWG, Blue
 RS Stock No: **510-4961**



Features and Benefits

- 3- and 4-way disconnects
- Multi-way crimping
- Accommodates wire size of 16 to 14 AWG

Specifications:

Colour	Blue
Contact Material	Copper
Inner Ring Diameter	2.3 mm
Insulation Material	Vinyl
Insulation	Insulated
Maximum Wire Size (AWG)	14 AWG
Maximum Wire Size (mm ²)	2.5 mm ²



Minimum Wire Size (AWG)	16 AWG
Minimum Wire Size (mm ²)	1.5 mm ²
Outer Ring Diameter	4.5 mm
Overall Length	36 mm
Shrouded	Shrouded
Stud Size	#8
Wire Size	16 to 14 AWG