

## Features

- IP65 Rated
- Padlockable in the off position (up to 3 padlocks)
- IP20 protection on incoming terminals
- Top & Bottom gland plates
- AC-22 Switch Rating

## RS PRO Enclosed Door Interlocked Fuse Switches

RS Stock No.: 136-5292, 136-5293, 136-5294



RS PRO is the own brand of RS. The RS PRO Seal of Approval is your assurance of professional quality, a guarantee that every part is rigorously tested, inspected, and audited against demanding standards. Making RS PRO the Smart Choice for our customers.

## Product Description

3 Pole + early make / late break neutral switch

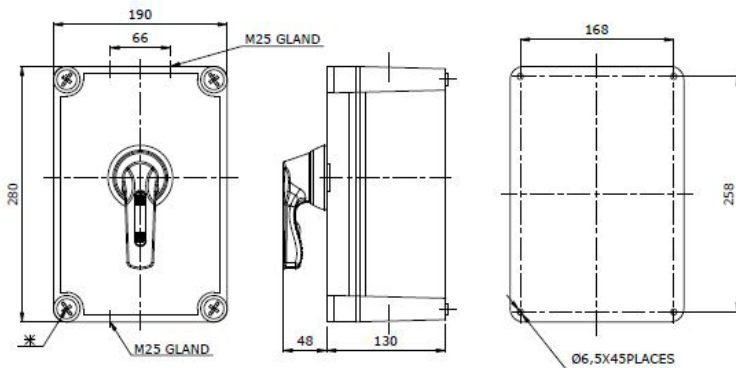
Handle padlockable in the OFF position

Supplied with fully rated gL fuses (which can be down rated)

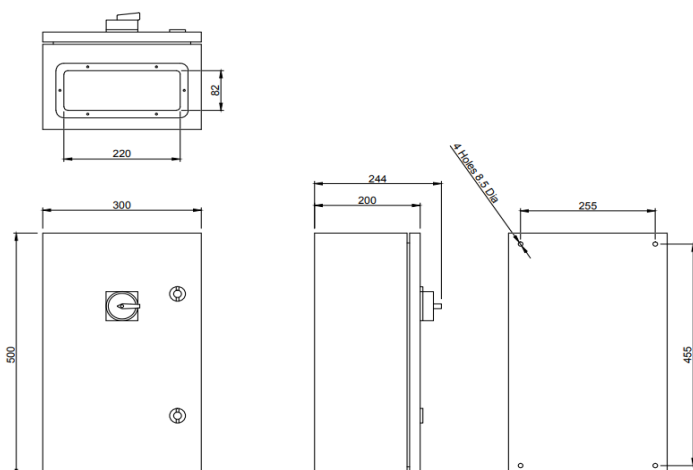
All switch ratings AC-22

32A require 10 x 38 fuses, 63A & 80A require 22 x 58 fuses.

## Technical Diagrams



32A fitted with 10x38 fuse holders  
(H:280 x W:190 x D:130mm)



63 and 80A fitted with 22x58 fuse holders  
(H:500 x W:300 x D:200mm)

## General Specifications

		Load Break Switch	Fuse Holder		
Standards		IEC & EN 60947-3	EN60269-1/ HD60269-2		
<b>Switch Specifications 32-100A AC-22</b>					
Data	Range	Units	32A	63A / 80A	
<b>Rated operational voltage Ue</b>					
IEC & EN	Volts	V	690	69	
Rated impulse withstand voltage Uimp		Volts	kV	6	6
Rated uninterupted current Iu		Amps	A	32	80
<b>Rated operational current Ie</b>					
IEC & EN	AC-22A	Up to 690V	A	32	80
	AC-21A	Up to 690V	A	40	80
	AC-1	Up to 690V	A	40	80
<b>Rated operational power AC-23A (50-60Hz)</b>					
IEC & EN	3 Phase	230 (240V)	kW	15	37
		400 (415)	kW	18.5	45
		690V	kW	22	90
<b>Rated operational power AC-3 (50-60Hz)</b>					
IEC & EN	3 Phase	230 (240V)	kW	11	30
		400 (415)	kW	11	37
		690V	kW	15	55
<b>Short Circuit Capacity (IEC)</b>					
Max fuse size (Type gl)		Amps	A	32	80
Rated Fused short circuit current		Amps	kA	30	30
<b>Terminal Specification</b>					
Single/ Multiple strand wire		Min-mm <sup>2</sup>	2.5	2.5	
		Max-mm <sup>2</sup>	10	35	
Fine strand with sleeve		Min-mm <sup>2</sup>	0.75	4	
		Max-mm <sup>2</sup>	6	35	
Recommended Tightening Torque		Nm	1.7	2.5	