

Range datasheet

RS Pro Anti-Vibration Pedestal Mount



Product Details -

The KMR mount is designed for mounting marine engines that produce propeller thrust. They are also extensively used to reduce vibration from mobile

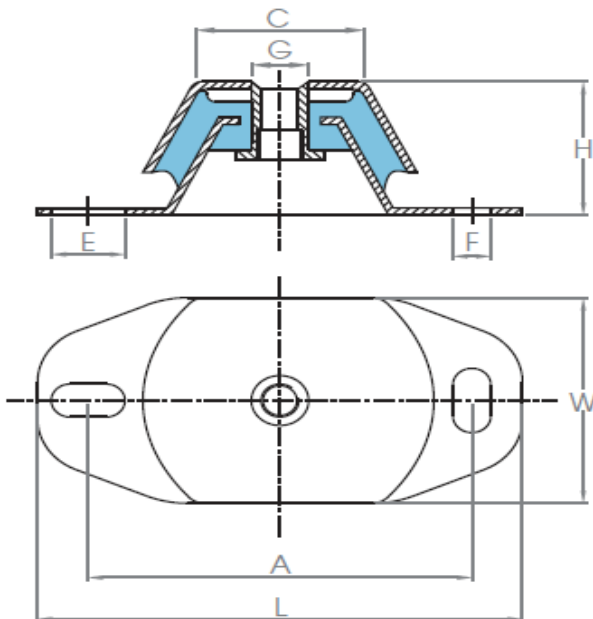
Features:

- Metal top cover protects the rubber element from oil and diesel fuel contamination
- Built-in bump and rebound control feature
- 50% lower stiffness across the mount to vertical stiffness
- Longitudinal stiffness is 2.5 times the vertical and suitable to take engine thrust for marine engines

Applications:

- Static and mobile generator sets
- Pumps
- Compressors
- Marine engine (refer to technical for mounting thrust and bolt fixing data)

Line Drawing





Dimensions in millimeters (mm)

RS Stock number	Description	A	L	W	C	E	F	G	H
1263893	Mobile/Marine Mount 230x70 M20 55 ShA NR X 1	182	230	112	80	35	18	M20	73
1263894	Mobile/Marine Mount 183x50 M16 55 ShA NR	140	183	75	75	20	13	M16	50
1263895	Mobile/Marine Mount 120x40 M12 55 ShA NR	100	120	60	60	11	11	M12	40

Vertical Static Load

RS Stock number	45 ShA		55 ShA		65 ShA		75 ShA	
	Max Load (kg)	Deflection (mm)	Max Load (kg)	Deflection (mm)	Max Load (kg)	Deflection (mm)	Max Load (kg)	Deflection (mm)
1263893	350	5	520	5	800	5	1000	5
1263894	150	5	210	5	300	5	450	5
1263895	50	4	65	4	100	4	-	-