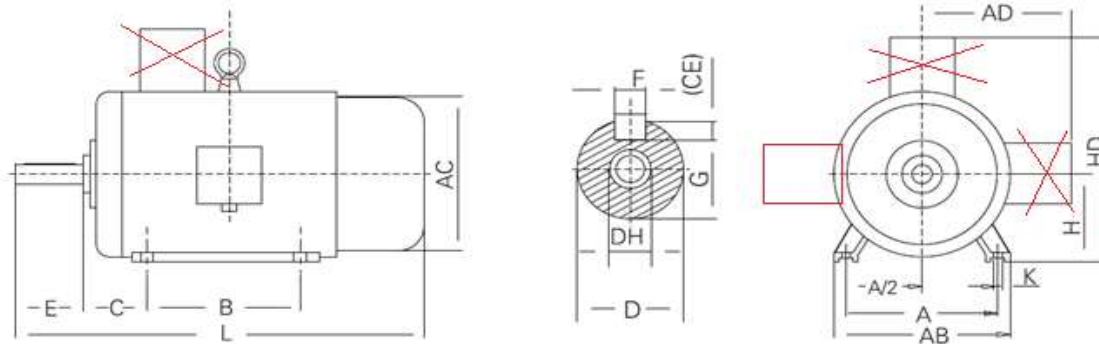


Type	Pole	Mounting	Voltage	Amps	Frequency	Power	Speed	EFF.	P.F.	LRT/RLT	LRA/RLA	BDT/RLT	Noise	Weight	J
			V	A	Hz	kW	rpm	%	Cos $\phi$				LwdB (A)	kg	kgm2
IE3-132S-4	4	B3	200	21.4	50	5.5	1465	89.6	0.84	2.2	7	2.2		40.4	0.0295



Frame Size	A	A/2	B	C	D	E	F	G	H	K	AB	AC	AD	HD	L
132S	216	108	140	89	38	80	10	33	132	12	260	260			473
DH*	Bearing DE		Bearing NDE												
M12 x 28	6308ZZC3		6308ZZC3												
Remark:	IE3, IP55, c/w left T-Box view from DE														

Dimension - mm      All drawing's data are for reference only. Actual dimension may be a bit different.