

# N Straight Plug Crimp

**multicomp** PRO

**RoHS  
Compliant**



## Specifications

### Electrical

Frequency Range : DC-11GHz  
 Nominal Impedance : 50Ω  
 VSWR : 1.3 Max.

### Materials

Bodies : Brass per JIS-C3604  
 Center Contact : Brass per JIS-C3604  
 Insulation : PTFE per ASTM D1457 and ASTM D1710  
 Crimp Ferrule : Brass per JIS-C2700

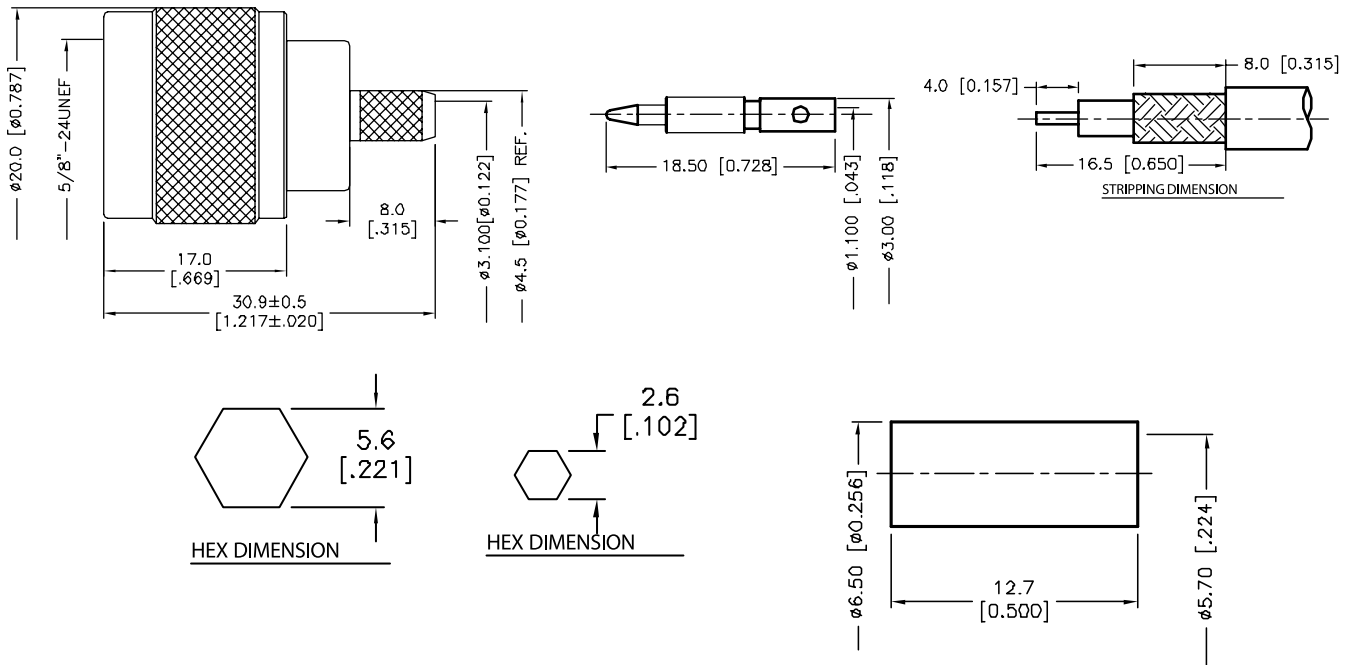
### Mechanical

Interface in Accordance with : MIL-STD-348A  
 For use with RG142U or similar style cable.  
 Cable Attachment : Outer: Crimp, Inner: Solder/Crimp  
 Crimp Size Requirement : Contact: 2.6 (0.102) Hex. Crimp Tool  
 Ferrule: 5.6 (0.221) Hex. Crimp Tool

### Environmental

Operating Temperature Range : -65°C to +165°C

## Diagram



Dimensions : Millimetres (Inches)

Newark.com/multicomp-pro  
 Farnell.com/multicomp-pro  
 Element14.com/multicomp-pro

**multicomp** PRO

# N Straight Plug Crimp

**multicomp**PRO

No	Description	Material	Q'ty	Finish
1	Centre Contact	Brass	1	Gold
2	Crimp Ferrule			Nickel 100µ" Min.
3	Chassis			Nickel 100µ" Min.
4	Body			Nickel 100µ" Min.
5	Insulation	PTFE		None
6	Washer	Brass		None
7	Shell			Nickel 100µ" Min.
8	Gasket	Silicone		Red

## Part Number Table

Description	Part Number
N Straight Plug Crimp	MC23542

**Important Notice :** This data sheet and its contents (the "Information") belong to the members of the AVNET group of companies (the "Group") or are licensed to it. No licence is granted for the use of it other than for information purposes in connection with the products to which it relates. No licence of any intellectual property rights is granted. The Information is subject to change without notice and replaces all data sheets previously supplied. The Information supplied is believed to be accurate but the Group assumes no responsibility for its accuracy or completeness, any error in or omission from it or for any use made of it. Users of this data sheet should check for themselves the Information and the suitability of the products for their purpose and not make any assumptions based on information included or omitted. Liability for loss or damage resulting from any reliance on the Information or use of it (including liability resulting from negligence or where the Group was aware of the possibility of such loss or damage arising) is excluded. This will not operate to limit or restrict the Group's liability for death or personal injury resulting from its negligence. Multicomp Pro is the registered trademark of Premier Farnell Limited 2019.

Newark.com/multicomp-pro  
Farnell.com/multicomp-pro  
Element14.com/multicomp-pro

**multicomp**PRO