

Datasheet

RS Pro Sub-Miniature Pushbutton Switch



Package Contain:

1x Nut

1x Locking Washer

1x Splash Proof O-Ring

Specifications:

SWITCH TYPE: PUSHBUTTON

POLES/THROWS: SPST

SWITCH FUNCTIONS: OFF-MOM

ELECTRICAL CHARACTERISTICS

CONTACT RATING: 500mA 48VAC-200mA 50VDC-200mA 250VAC ELECTRICAL LIFE: 500,000 make-and-break cycles at full load CONTACT RESISTANCE: 50m-ohms max.

INSULATION RESISTANCE: 1G Ω min. at 500VDC

DIELECTRICAL STRENGTH: 1500VAC rms

OPERATING TEMPERATURE: -30°C to +85°C



Specifications:

RELIABILITY PERFORMANCE

MECHANICAL LIFE: Without load, 1,000,000 cycles min

OPERATING FORCE: 2N~5N max

TORQUE: 1.5 Nm max. (applied to nut.)

IP PROTECTION CLASS: IP67(Upper side:Protected against the effects of temporary immersion in water.)

SOLDERING HEAT RESISTANCE: Max soldering temperature @ $260\pm 5^{\circ}\text{C}$, immersion time $5\pm 1\text{sec}$

COLD TEST: Stored at temperature $-30(+/-3)^{\circ}\text{C}$ for 96 hours, shall result no changes to switch's electrical performance

HOT TEST: Stored at temperature $+85(+/-3)^{\circ}\text{C}$ for 96 hours, shall result no changes to switch's electrical performance

HUMIDITY TEST: Stored at temperature $40(+/-2)^{\circ}\text{C}$ with relative humidity 90%~95% for 96 hours, shall result no changes to switch's electrical performance

MATERIAL CHARACTERISTICS

CASE: DAP

CAP BUSHING: Polyamide 6/6

CONTACT TERMINAL: Gold over silver plated

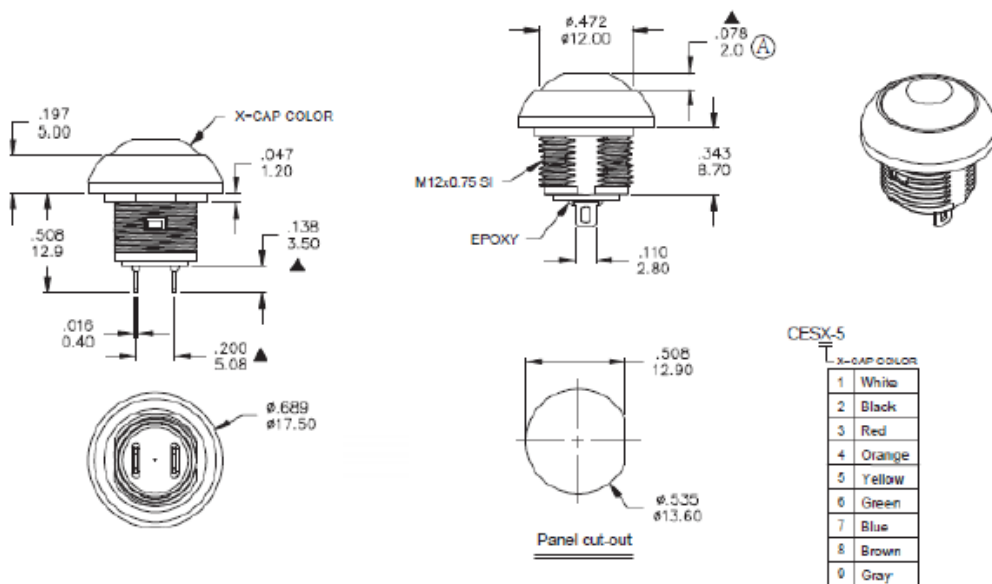
SOLDERING & CLEANING RECOMMENDATION

HAND SOLDERING: Max. temperature @ 350Celsius degree with continuous soldering time @ 5sec. max.

CLEANING PROCESS: Noted, the switch is "not totally sealed" so it is important not to immerse/spray or clean unsealed areas of the switch during flux removal. Improper cleaning could cause switch deficiencies such as intermittence or open contact failures

RS P/N

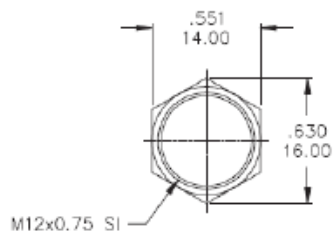
Single Pole off / Momentary Square Black Chrome	8919839
Single Pole off / Momentary Square Red Chrome	8919832
Single Pole off / Momentary Square Blue Chrome	8919836
Single Pole off / Momentary Square White Chrome	8919845
Single Pole off / Momentary Square Green Chrome	8919848



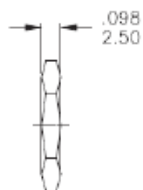
Model No.	POS.1	POS.2
PASS	OFF	MOM
Term. Conn.	OPEN	SHORT
SCHEMATIC		

SWITCH FUNCTION

HARDWARE

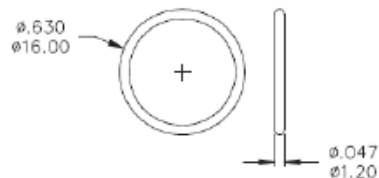
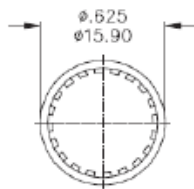


MNU-PA03



.039 THK
1.0

MNU-1M09



FCP- A253

	PART NO.	PART NAME	Q'TY
1	MNU-PA03	M12 X 0.75 NUTS	1
2	MNU-1M09	LOCKING WASHER	1
3	FCP-A253	O-RING	1