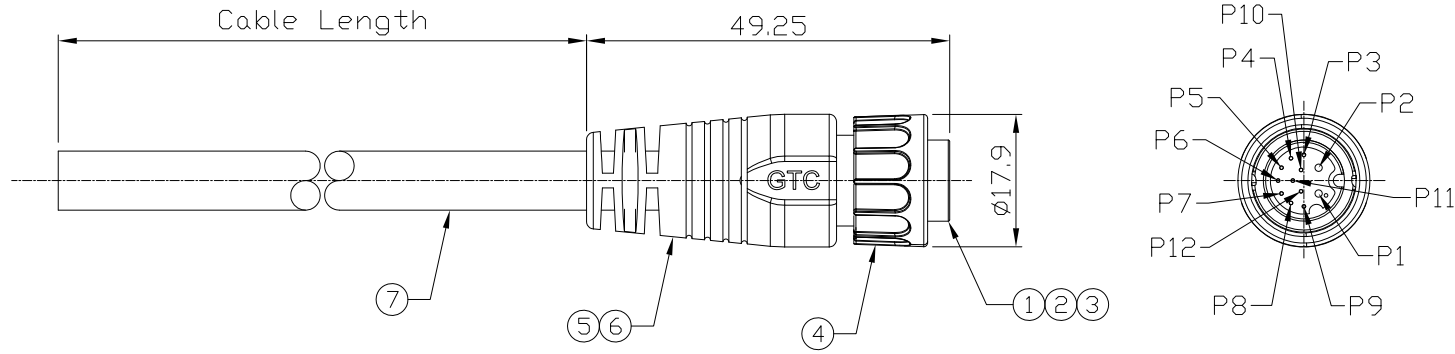


Notes: (Unless Otherwise Specified)
 1. Waterproof Rate : IP67.
 2. RoHS Compliant.

| REV | ECN# | DESCRIPTION OF REVISION | DRAW BY DATE | CHECK BY DATE | APPROVE BY DATE |
|-----|------|-------------------------|----------------|---------------|-----------------|
| 01 | | | Lucas 11/10/14 | Ray 11/10/14 | Ray 11/10/14 |



| | |
|----|-------------|
| 1 | Black |
| 2 | Red |
| 3 | Brown |
| 4 | Orange |
| 5 | Yellow |
| 6 | Green |
| 7 | Blue |
| 8 | Purple |
| 9 | Gray |
| 10 | White |
| 11 | Pink |
| 12 | Black/White |

| Item | Part Name | Material / Finish | Qty |
|------|------------|--|-----|
| 7 | Cable | UL2464 18AWG*2C+26AWG*10C+D+Al/My, OD=8.0mm Color:Black | 1 |
| 6 | Over Mold | PVC Color: Black | 1 |
| 5 | Inner Mold | Thermoplastic Color: White or Black | 1 |
| 4 | Lock Nut | Thermoplastic Color: Black | 1 |
| 3 | O-Ring | Silicone Color: Red | 1 |
| 2 | Contacts | Copper Alloy Finish: Au Plated | 12 |
| 1 | Housing | Thermoplastic Color: Black | 1 |

Wiring Diagram

| | | |
|--------------|---------|------|
| Cable Length | 2000 mm | ±100 |
|--------------|---------|------|

Part No.
179-7937



| TITLE | | | | | | Mating Part No. | | | REV. |
|---|------|-------|----------------|--------------|----------------|-------------------------|-----------------------------|------|-------|
| C2 10A+1A 2P+10P Cable End Male Lock (Code A) | | | | | | 179-7934 | | | 01 |
| DO NOT SCALE DRAWINGS | B | 1:1 | Lucas 11/10/14 | Ray 11/10/14 | Ray 11/10/14 | X.X ± 0.5 X.XX ± 0.2 | X.XXX ± 0.05 ANGLES ± 1° | mm | 1/1 |
| THIRD ANGLE PROJECTION | SIZE | SCALE | DRAW / DATE | CHECK / DATE | APPROVE / DATE | TOLERANCES | | UNIT | SHEET |