

## FEATURES

- LED Charging Display (signal light system)
- Plug type dedicated for the UK, EURO, AUS and the USA
- Charge control to maximise the life of the battery
- Number of cells charged is 3
- Use only with lithium rechargeable batteries
- Non-rechargeable batteries or other types could cause an explosion

# RS PRO Lithium-Ion Battery Pack 3 Cell Battery Charger with AUS, EURO, UK, USA plug

RS Stock No.: 173-5590



RS Professionally Approved Products bring to you professional quality parts across all product categories. Our product range has been tested by engineers and provides a comparable quality to the leading brands without paying a premium price.

## Product Description

All Battery Chargers, also known as a recharger, have one thing in common. The charging protocol is the same. The charger is feeding an electric current through batteries for a specific duration time. We are introducing the RS PRO Charger for a lithium-ion battery (known as LIB), which can be used in AUS, EURO, UK and the USA. The charge controller ensures that the cells receive optimum charge with no overcharging, thus maximising the life of the battery. The charging indicators use a signal light system. When LED is flashing in green, it means charging is in place, flashing in green, but steady is informing that battery is fully charged whereas red indicates an error. These units are approved for both medical and non-medical applications. The cleaning process for any Battery Charger is similar. To clean the charger, disconnect it from the power adaptor and use a dry cloth only. To ensure the correct function of the charger, keep the charging contacts free from dust and dirt.

## General Specifications

<b>Number of Batteries Charged</b>	1
<b>Chemistries Charged</b>	Lithium-Ion
<b>Battery Sizes Charged</b>	Battery Pack
<b>Case Material</b>	PC Plastic
<b>Colour</b>	Black
<b>Application</b>	A high-tech charger, medical, industrial and commercial devices, portable electronics and electric vehicles, military and aerospace applications

## Electrical Specifications

<b>Input Voltage</b>	100-240 V $\pm$ 10%, 50/60 Hz
<b>Input Current</b>	< 100 $\mu$ A
<b>Plug Type</b>	AUS; EURO; UK; US

Output Data	
Charge Current	2 A
Number of Cells Charged	3
Output Connectors	Push-On

## Mechanical Specifications

Dimensions	118mm x 62mm x 35mm
Weight	320g

## Operation Environment Specifications

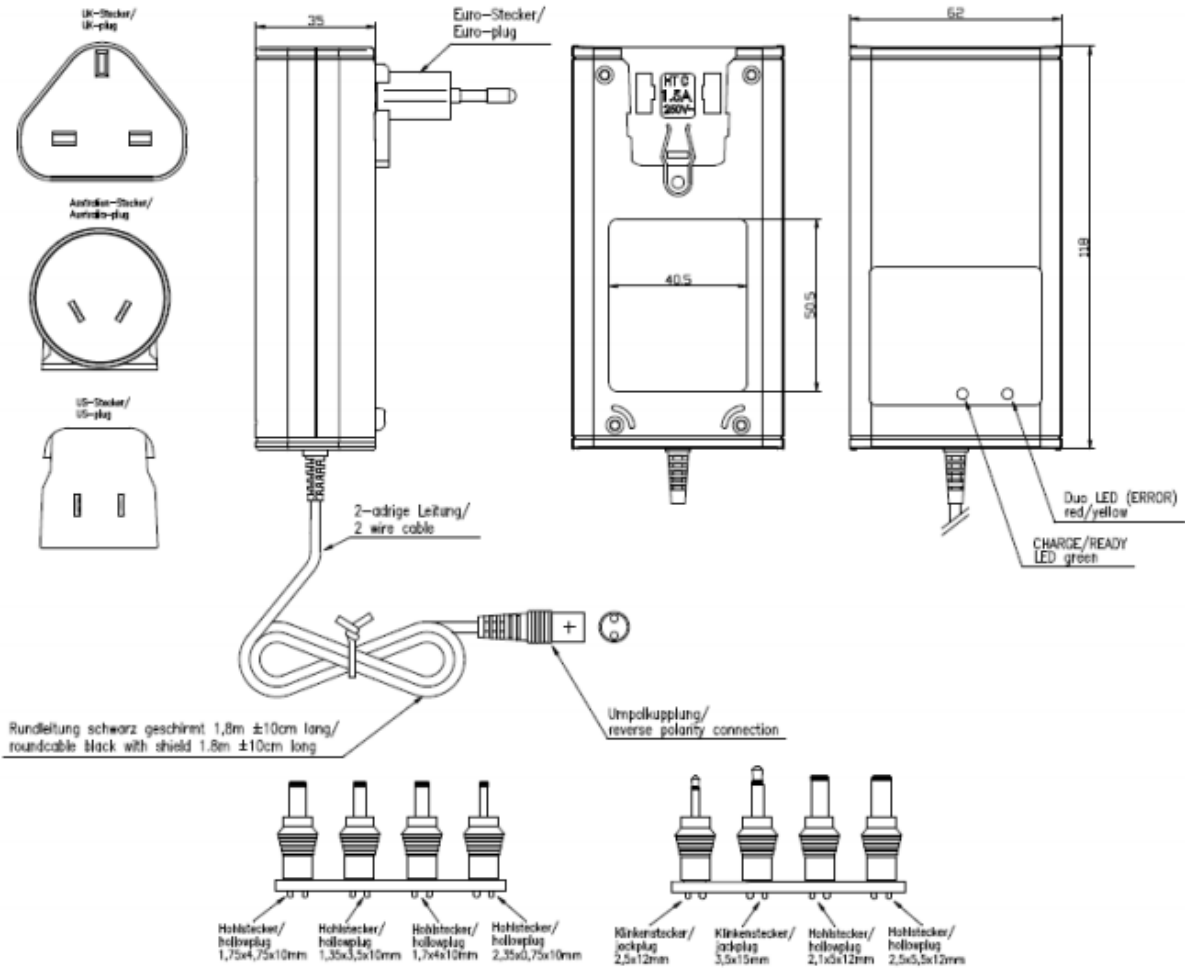
Operating Temperature	0°C to 40°C
Storage Temperature	-25°C to 70°C

## Approvals

Compliance/Certifications	2011/65/EU and 2015/863
Safety Standard	IEC/EN60335-2-29, UL1310



## Technical Drawing:



## Charging Indicators:

No Battery	LEDs Off
Charging	Green LED Flashes
Battery Fully Charged	Green LED Lights Steady
Error	Red LED Flashes