

RoHS  
Compliant



## Specification

Rated Voltage	: 200V AC to 240V AC 50Hz/60Hz
Rated Current	: 0.242 AMP @ 50Hz 0.255 AMP @ 60Hz
Rated Power	: 3.6 W@ 50Hz 3.9 W @ 60Hz
Tolerance	: ±15% on Rated Power and Current
Rated Speed	: 3100 RPM ±20% in Free Air at Rated Voltage @ 50Hz 3200 RPM ±20% in Free Air at Rated Voltage @ 60Hz
Max. Airflow At Zero Static Pressure	: Nominal 40 / MIN. 34 CFM @ 50Hz Nominal 41 / MIN. 34.9 CFM @ 60Hz
Max. Static Pressure At Zero Airflow	: Nominal 0.14 / MIN. 0.12 inch-H <sub>2</sub> O @ 50Hz Nominal 0.15 / MIN. 0.13 inch-H <sub>2</sub> O @ 60Hz
Acoustic Noise	: Nominal 32 dB(A) / MAX. 36.8 dB(A) @ 50Hz Nominal 33 dB(A) / MAX. 37.9 dB(A) @ 60Hz
Insulation Class	: UL CLASS : A
Ingress Protection	: None
Life Expectancy	: 60,000 Hours at 40°C, 65% Humidity, 90% CL.
Direction of Rotation	: Counter-Clockwise From Blade Side
Electromagnetic Interference	: X1 Capacitor 1.5uF/300V Min. (Optional, Across Line and Neutral of AC Power Input Leads)

## Mechanical

Bearing System	: Vapo Bearing System
Materials of Frame	: Thermoplastic PBT of UL 94V-0
Materials of Fan Blade	: Thermoplastic PBT of UL 94V-0
Impeller Balance Grade	: G6.3 Per ISO 1940-1:2003(E)
Weight	: 99.3 Grams

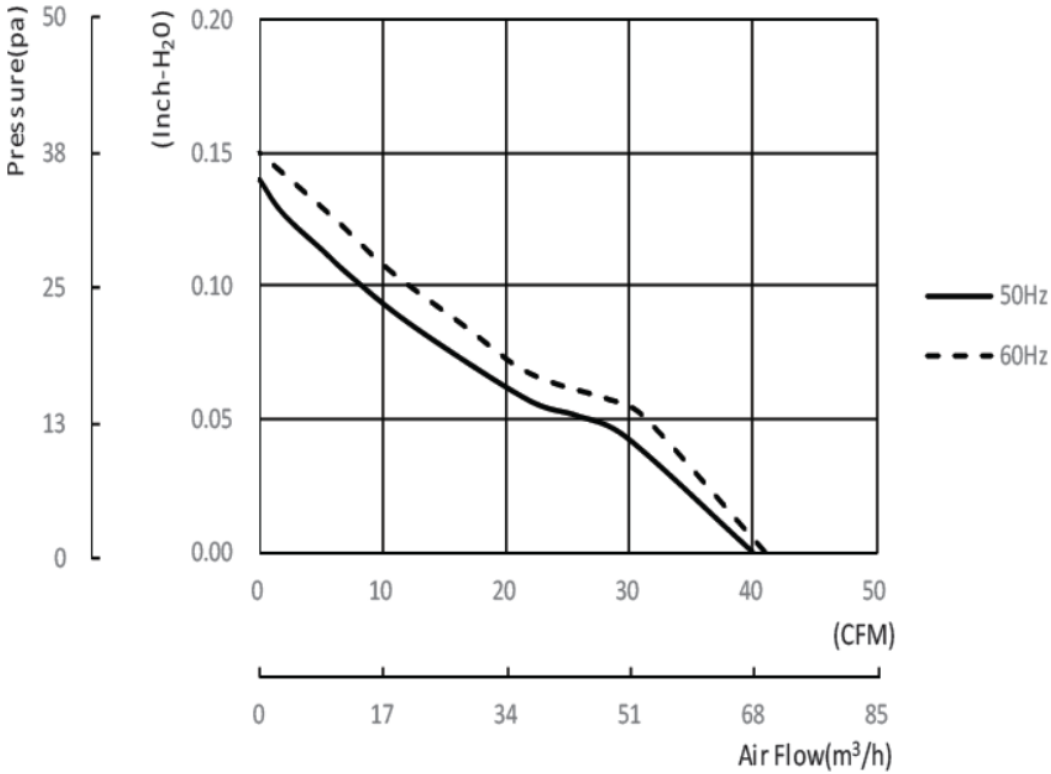
## Environmental

Operating Temperature Range	: -20°C to +70°C
Storage Temperature Range	: -40°C to +70°C
Operating Humidity Range	: 5 to 90% RH
Storage Humidity Range	: 5 to 95% RH

## Protection

- Over Temperature Protection

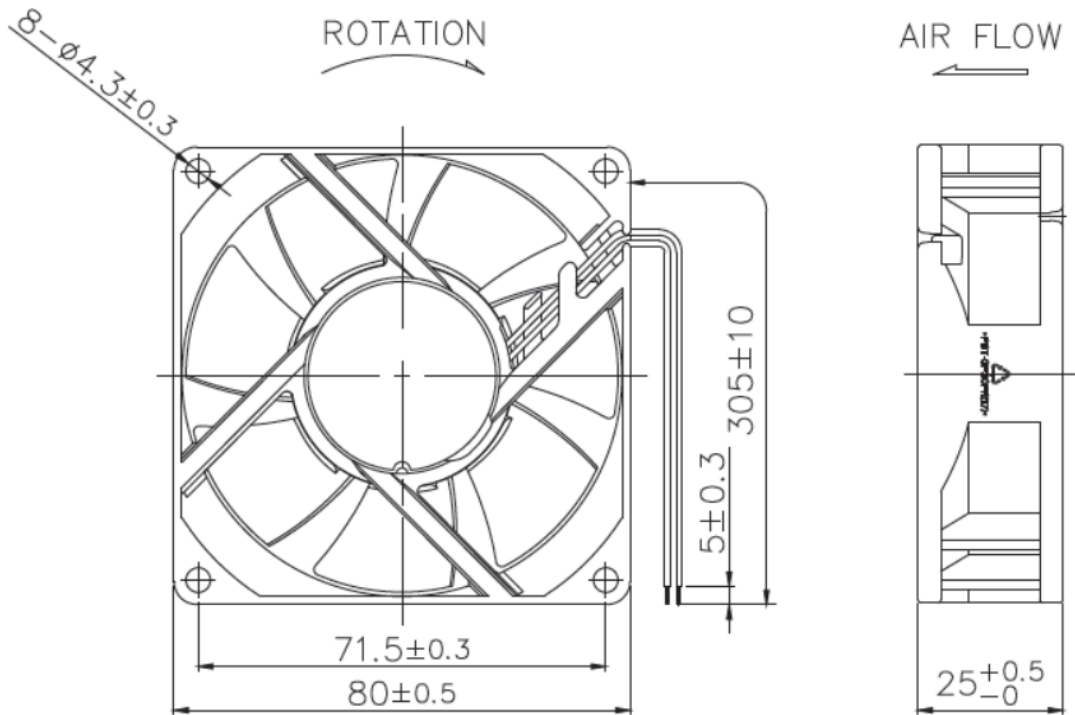
## Air Flow & Static Pressure Curve



**NOTE:** The airflow and static pressure are measured with specific fixture.

## Dimensions

Screw Type (Pan Head)	Torque	Screw Spec.	
		Size	Standard
Machine Screw	3~4 kgf-cm	M4	JISB1111-1974
Self-Tapping Screw	5~6 kgf-cm	Φ5	JISB1122 Type 2



**Note:**

1. Lead Wire: ULS3266 #24AWG Gray
2. Frame Type: Flange

Dimensions : Millimetres

**Part Number Table**

Description	Part Number
AC Axial Fan, 80mm × 80mm × 25mm, 200V-240V AC	MP-CF2082HVL-10000-999

**Important Notice :** This data sheet and its contents (the "Information") belong to the members of the AVNET group of companies (the "Group") or are licensed to it. No licence is granted for the use of it other than for information purposes in connection with the products to which it relates. No licence of any intellectual property rights is granted. The Information is subject to change without notice and replaces all data sheets previously supplied. The Information supplied is believed to be accurate but the Group assumes no responsibility for its accuracy or completeness, any error in or omission from it or for any use made of it. Users of this data sheet should check for themselves the Information and the suitability of the products for their purpose and not make any assumptions based on information included or omitted. Liability for loss or damage resulting from any reliance on the Information or use of it (including liability resulting from negligence or where the Group was aware of the possibility of such loss or damage arising) is excluded. This will not operate to limit or restrict the Group's liability for death or personal injury resulting from its negligence. Multicomp Pro is the registered trademark of Premier Farnell Limited 2019.

Newark.com/multicomp-pro  
 Farnell.com/multicomp-pro  
 sg.element14.com/b/multicomp-pro