



ENGLISH

RS PRO

MULTIMEDIA SPEAKER

Stock No: 2318270



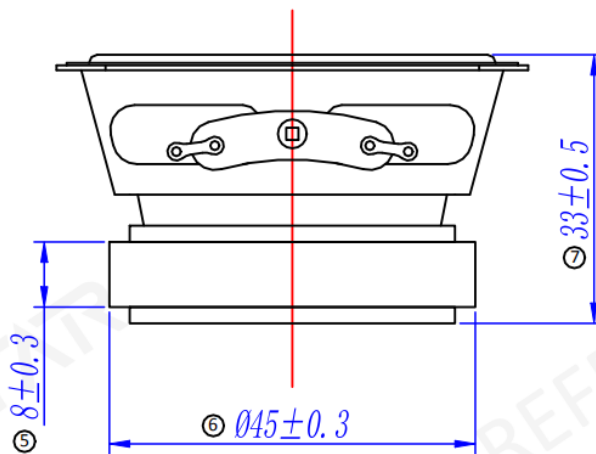
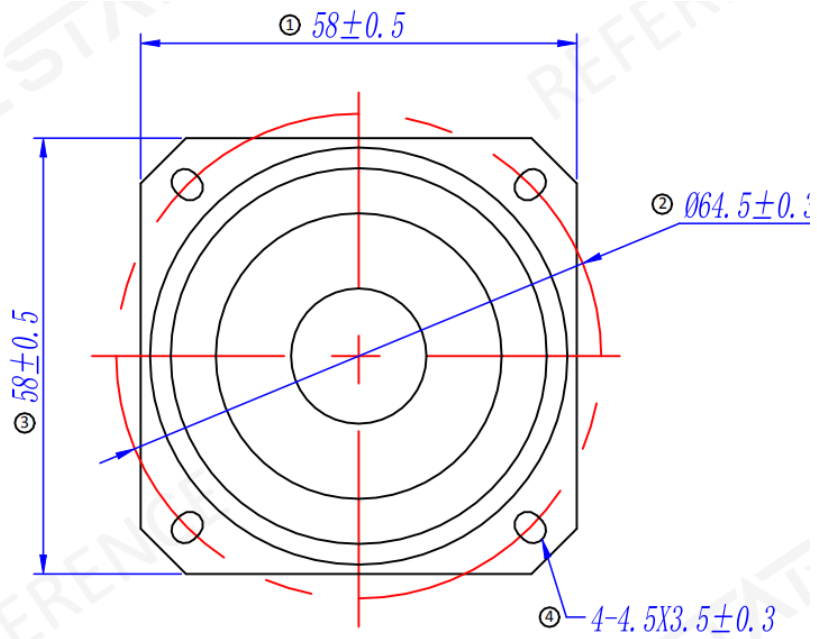
1. Technical Specifications:

Item	Specifications
Size	58*58*33mm
Impedance at 1000Hz	4±15%
Resonance frequency	125±20%Hz
Lowest Resonance frequency	fo...10K Hz
Rated input power	5W(4.5V)
Maximum input power	8W (5.7V)
Buzz & Rattle(at sine) wave 4.5V)	must be normal
SPL(1W 1m sine wave)	81±3dB (at 0.5K,0.8K,1K, 1.5KHz Average)
THD(1W/1m,1000Hz)	MAX 5%
Operating temperature	-10°C ...+55°C
Storage temperature	-10°C ...+55°C

2. Features & Benefits:

- Large power
- Loud sound output
- RoHS

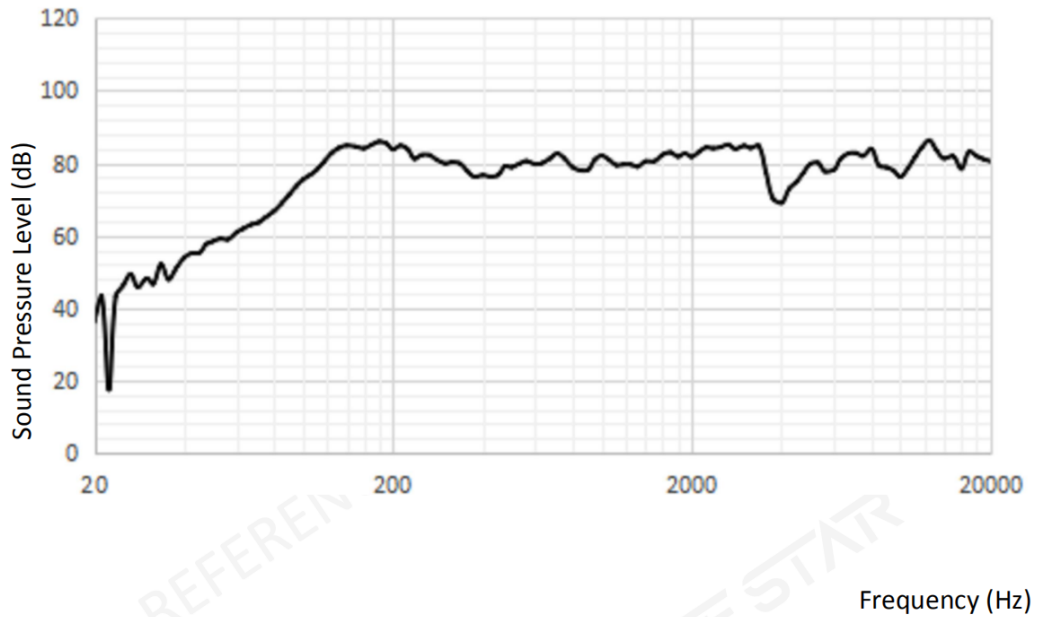
3. Dimensional line drawings



Tolerance: $\pm 0.3 \text{mm}$

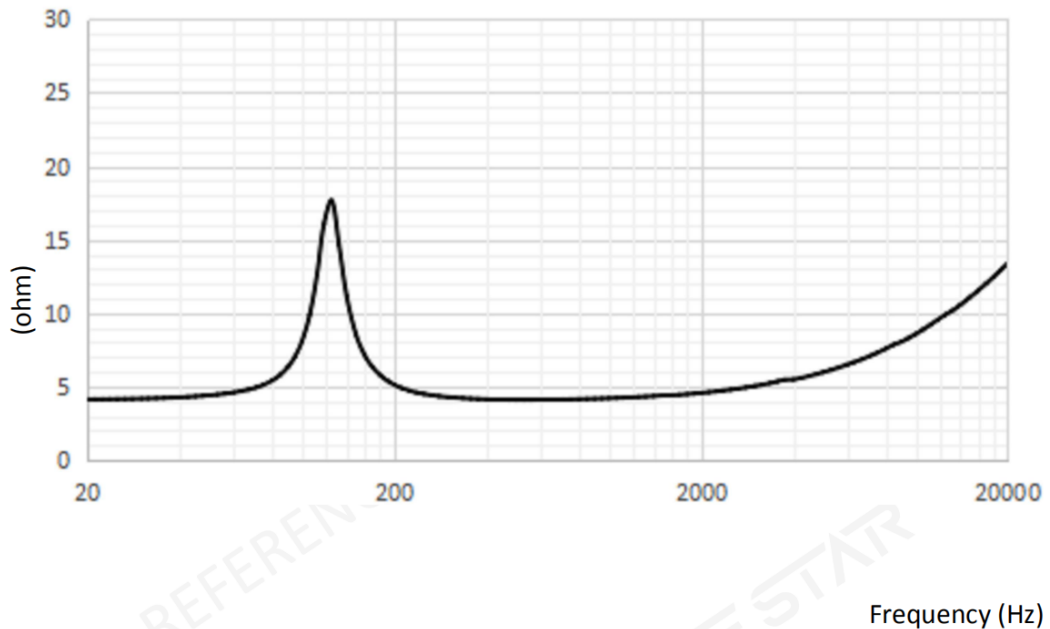
4.1 Frequency Response Curve (only for reference)

A: Frequency Response Magn 0 dB re 20.00 μ Pa/V 1/12Oct



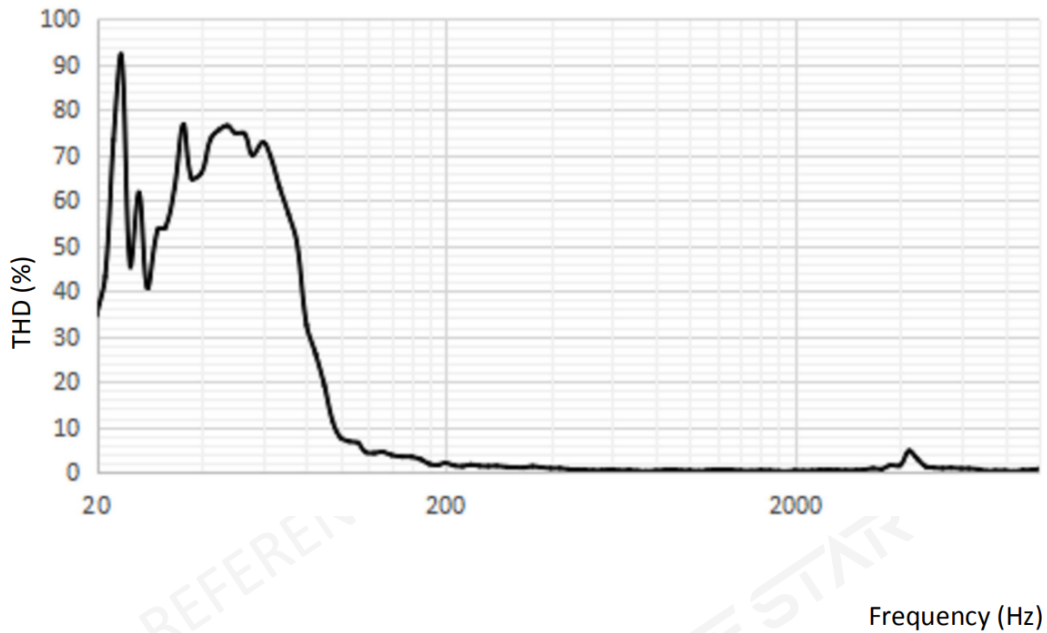
4.2 F0 Curve (only for reference)

A: Frequency Response Magn 0 dB re 20.00 μ Pa/V 1/12Oct



4.3 Total Harmonic Distortion (only for reference)

A: Frequency Response Magn 0 dB re 20.00 μ Pa/V 1/12Oct



4.4 R&B Curve (only for reference)

A: Frequency Response Magn 0 dB re 20.00 μ Pa/V 1/12Oct

