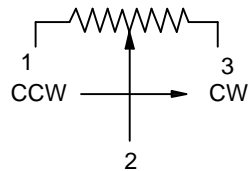
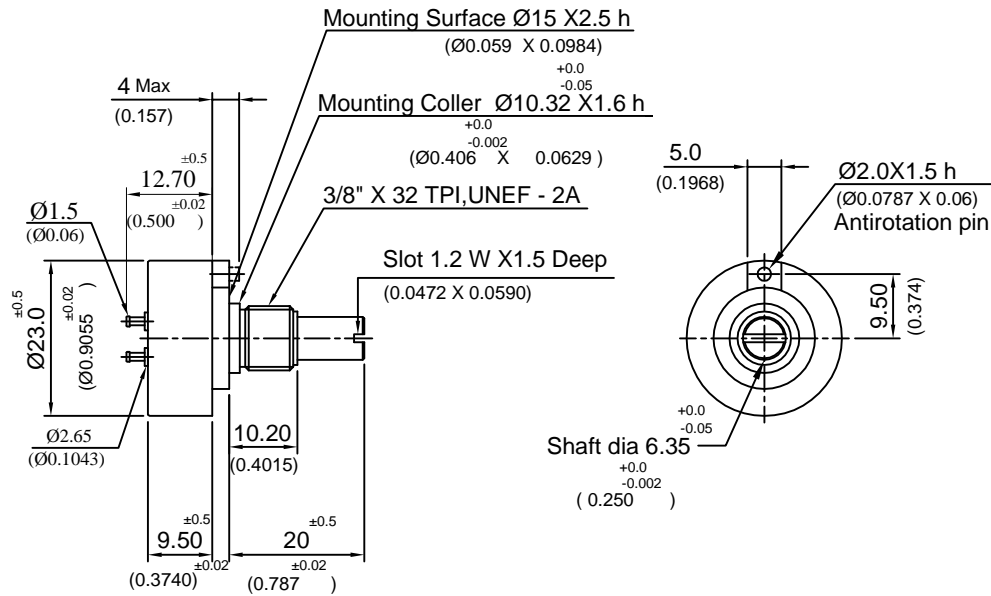
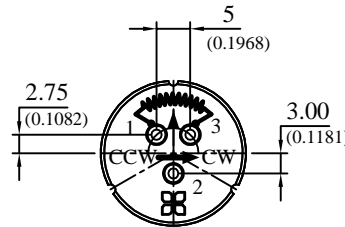


Dimensions :- Metric (Inch)



ELECTRICAL SCHEMATIC DIAGRAM



REAR SIDE VIEW

- Features:-
1. Conductive plastic long life resistance element.
 2. High quality engineering plastic sturdy low profile body.
 3. Precious metal high technology wiper gives noise free output.

ELECTRICAL CHARACTERISTICS :-	UNITS	VALUE
Resistance Element.....	--	Conductive Plastic
Resistance Range.....	Ohms	1k,2K,5k,10k
Resistance Tolerance.....	±%	20
Standard Independent Linearity Tolerance...(IEC 393)..	±%	2
Electrical angle...	Degrees	340°, ±5°
Resolution.....	--	Essentially infinite
Temperature Coefficient of Resistance(TCR).....	ppm/deg C	±400
Power Rating @ 70°C.....	Watts	1.0
Insulation Resistance @ 500 Vdc.....	M Ohms	1000
Dielectric Strength @ 50 Hz.....	V ac	500
Maximum Wiper current.....	mAmps	1
short time wiper current 10 sec.	mAmps	10
End voltage as a % of applied voltage	%	Less than 0.5

MECHANICAL CHARACTERISTICS :-		
Rotation (Mechanical Angle) continuous.....	Degrees	360°
Bearing Type.....	--	Sleeve
Torque... Starting.....	Nmm (Oz inch)	5 (0.708)
Torque... Running.....	Nmm (Oz inch)	4 (0.566)
Spanner size of nut	m.m.	14
Nut tightening Torque....	N.m.	0.8
Axial Play	m.m.(inch)	0.2 (0.00787) max
Radial Play	m.m.(inch)	0.2 (0.00787) max

ENVIRONMENTAL CHARACTERISTICS :-		
Operating Temperature.....	Degrees C	-40 to +105
ROHS compliance	--	Yes

PERFORMANCE :-		
Rotational Life (shaft Revolutions).....	Nos.	5,000,000

MATERIALS OF CONSTRUCTION:-		
Housing.....	--	Engg. Plastic
Shaft.....	--	Stainless Steel
Terminals.....	--	Brass,gold plated
Bushing.....	--	Industrial Brass
Mounting Hardware	--	Lock Washer-steel + Nut-Brass, A/F 14 X 3 mm,both Nickel plated

Soldering Recommendation :- Use soldering Iron at 350° C for 3 second maximum.
Clean the soldered pads with Isopropyl alcohol after soldering.
Continuous improvements are being made for enhancing performance for customer benefit in product design & process. The product supplied may be slightly different than described by above specifications

Uni-Automation (I) Pvt Ltd
Tel/Fax:+91-(020)-24420890
www.uniautomation.com

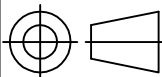
CONDUCTIVE PLASTIC POTENTIOMETER

First Issue : 2016/10/02 Scale:- 1:1

MODEL NP23 (327)

Tolerances
DIN-ISO 2768-1 (1991-06)
(Tolerance class-medium)

UAPL PART NO
129327



CUSTOMER DRAWING REF NO
NA

Customer : UAPL STANDARD

REV - 01
NEW VERSION
SHEET

1of1