



Datasheet

RS PRO 11cm USB 3.1 Type A Male to USB C Type A Female Cable

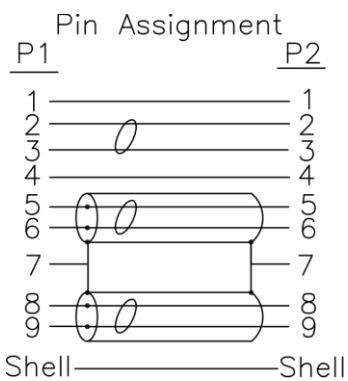
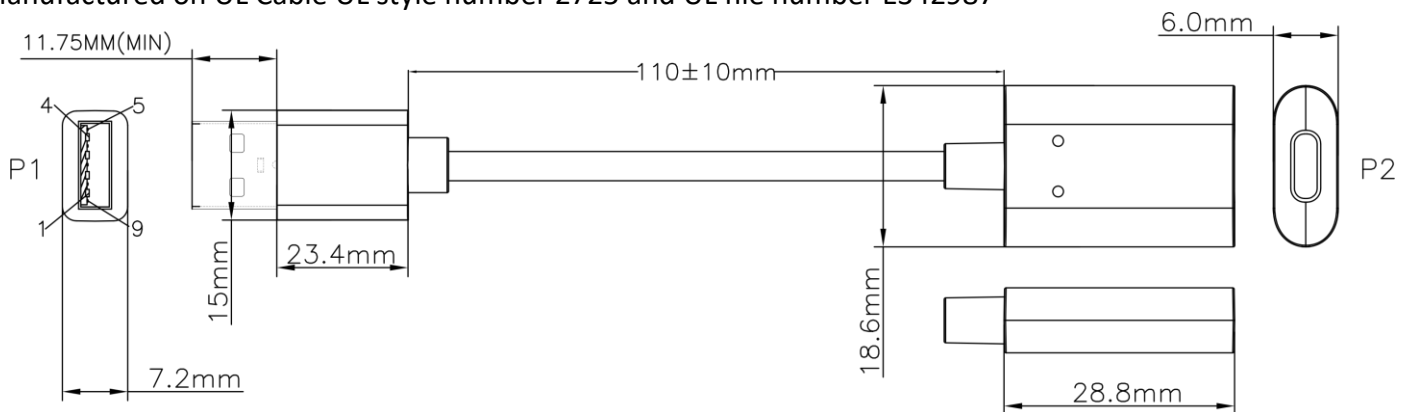
Stock number: 236-9158

EN

The RS PRO 11cm USB version 3.1 type A male to USB C type A female cable has a black PVC jacket and connector hoods. The cable has an outer diameter of 3.9mm. While to cable has USB C on it, it will only run at USB 3.1 speeds due to USB 3.1 restrictions.

The connectors are nickel and have a strain relief to help avoid the cable splitting around the edge of the boot.

Manufactured on UL Cable UL style number 2725 and UL file number E342987



RoHS / REACH / CE / UKCA

rspro.com