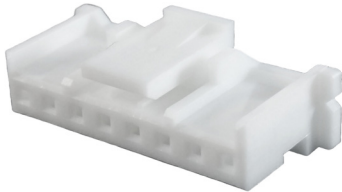


**RoHS
Compliant**

Housing Connector, Wire to Board, 2mm



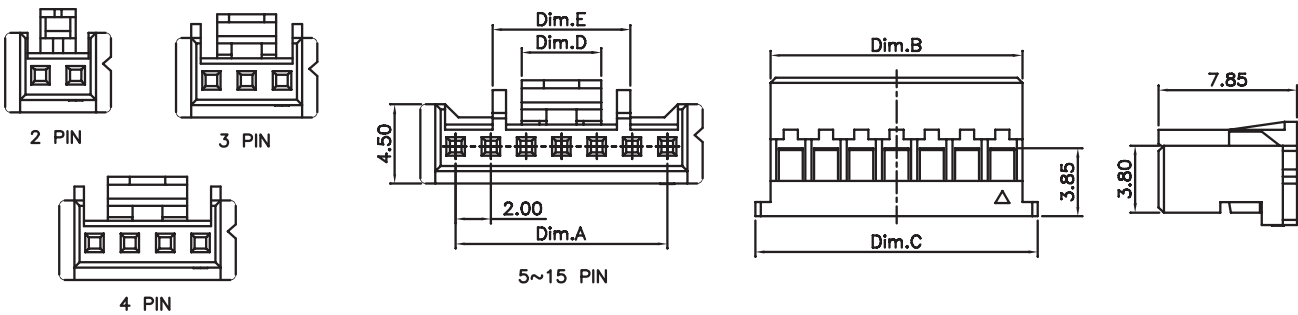
Specifications

Current Rating	: 3A AC/DC
Voltage Rating	: 250V AC/DC
Contact Resistance	: 20mΩ Max.
Insulation Resistance	: 1000MΩ Min.
Withstanding Voltage	: 800V AC /minute
Operating Temperature	: -25°C to +85°C
Application Wire	: #24 to #28

Material

Insulator	: Thermoplastic (UL94V-0)
Colour	: White
Contact	: Copper Alloy

Diagram



Dimension Table

Part Number	Pos.	Dim. A	Dim. B	Dim. C	Dim. D	Dim. E
MP013298	2	2	4.3	6	2	--
MP013299	3	4	6.3	8	3.5	
MP013300	4	6	8.3	10	4.5	
MP013301	5	8	10.3	12	4.5	7.8
MP013302	6	10	12.3	14		
MP013303	7	12	14.3	16		
MP013304	8	14	16.3	18		
MP013305	9	16	18.3	20		
MP013306	10	18	20.3	22	11	14.3
MP013307	12	22	24.3	26		

Dimensions : Millimetres

2mm Wire to Board Terminal

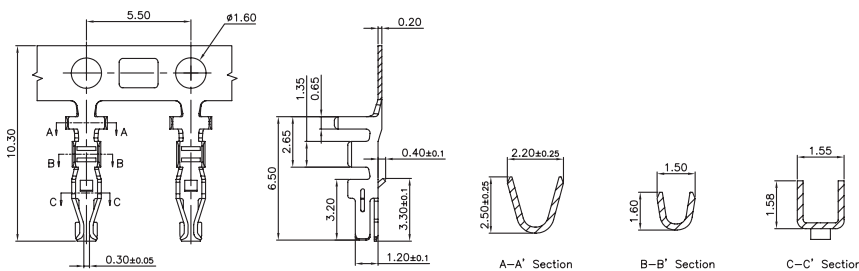
Specifications

Current Rating	: 3A AC/DC
Voltage Rating	: 250V AC/DC
Contact Resistance	: 20mΩ Max.
Insulation Resistance	: 1000MΩ Min.
Withstanding Voltage	: 800V AC /minute
Operating Temperature	: -25°C to + 85°C

Material

Contact	: Phosphor Bronze
Plated	: Tin/Gold Plated
Applicable Wire	: AWG#22-#28

Diagram



Part Number Table

Description	Part Number
Housing Connector, Wire to Board, 2mm, 2Ways	MP013298
Housing Connector, Wire to Board, 2mm, 3Ways	MP013299
Housing Connector, Wire to Board, 2mm, 4Ways	MP013300
Housing Connector, Wire to Board, 2mm, 5Ways	MP013301
Housing Connector, Wire to Board, 2mm, 6Ways	MP013302
Housing Connector, Wire to Board, 2mm, 7Ways	MP013303
Housing Connector, Wire to Board, 2mm, 8Ways	MP013304
Housing Connector, Wire to Board, 2mm, 9Ways	MP013305
Housing Connector, Wire to Board, 2mm, 10Ways	MP013306
Housing Connector, Wire to Board, 2mm, 12Ways	MP013307
Wire to Board Terminal Contact, 22-28 AWG	MP013308

Dimensions : Millimetres

Important Notice : This data sheet and its contents (the "Information") belong to the members of the AVNET group of companies (the "Group") or are licensed to it. No licence is granted for the use of it other than for information purposes in connection with the products to which it relates. No licence of any intellectual property rights is granted. The Information is subject to change without notice and replaces all data sheets previously supplied. The Information supplied is believed to be accurate but the Group assumes no responsibility for its accuracy or completeness, any error in or omission from it or for any use made of it. Users of this data sheet should check for themselves the Information and the suitability of the products for their purpose and not make any assumptions based on information included or omitted. Liability for loss or damage resulting from any reliance on the Information or use of it (including liability resulting from negligence or where the Group was aware of the possibility of such loss or damage arising) is excluded. This will not operate to limit or restrict the Group's liability for death or personal injury resulting from its negligence. Multicomp Pro is the registered trademark of Premier Farnell Limited 2019.

Newark.com/multicomp-pro
 Farnell.com/multicomp-pro
 sg.element14.com/b/multicomp-pro