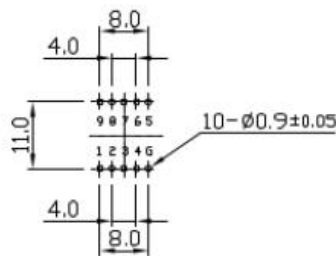
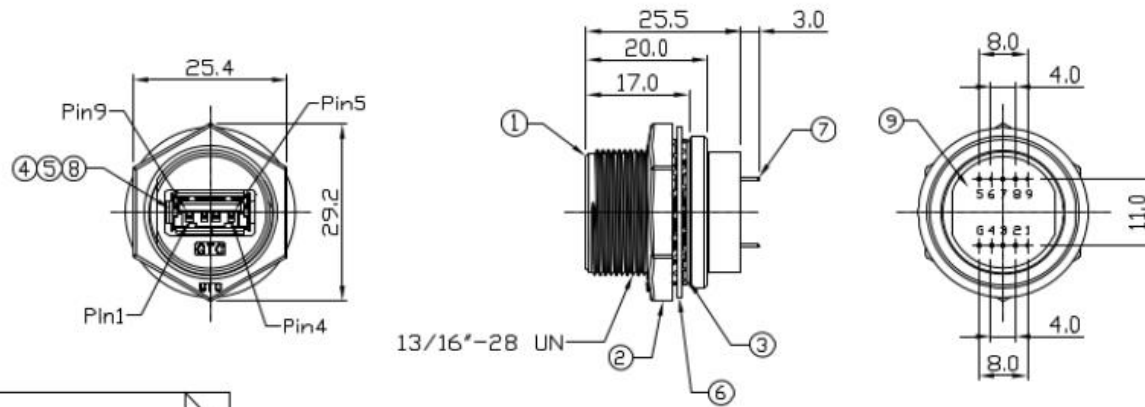




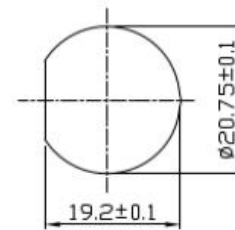
Notes: (Unless Otherwise Specified)

1. Waterproof Rate: IP68.
2. Recommend Panel Thickness: 0.8 to 6.0 mm.
3. Recommend Torque: 19~20 Kgf-cm.
4. Mating Cap P/N:125-7929
5. RoHS Compliant.

REV	ECN#	DESCRIPTION OF REVISION	DRAW BY DATE	CHECK BY DATE	APPROVE BY DATE
01			Lucas 09/07/15	Lucas 09/07/15	Ray 09/07/15



Recommend
PCB Layout



Recommend
Panel Cut-Out

Mating Part:
122-3033

9	Glue	Epoxy Color: Black	
8	PCB	FR-4 Color: Green	1
7	Pin Header	Housing: Thermoplastic, Color: Black Contacts: Copper Alloy, Finish: Au Plated	2
6	Metal Washer	SUS	1
5	EMI Shielded Plate	Copper Finish: Ni Plated	1
4	USB-A 3.0 Receptacle	Housing: Thermoplastic, Color: Blue Contacts: Copper Alloy, Finish: Au Plated Shell: Stainless, Finish: Non	1
3	O-Ring	Silicone Color: Red	1
2	Hex Nut	Zn Alloy Finish: Ni Plated	1
1	Housing	Zn Alloy Finish: Ni Plated	1
Item	Part Name	Material / Finish	Qty

TITLE						REV.
USB-A 3.0 Metal C3 Panel Jack Screw Dip						01
THIRD ANGLE PROJECTION	B	1:1	Lucas 09/07/15	Lucas 09/07/15	Ray 09/07/15	X.X ± 0.5 X.XX ± 0.2
						X.XXX ± 0.05 ANGLES ± 1°
						mm
						1/1

RS Stock No
122-3032