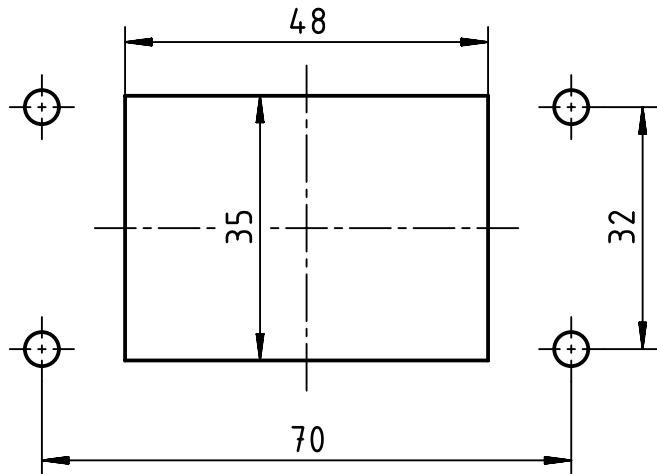



Panel cut out



	FREE SIZE TOL':			TITLE		REV.
				RS Pro 6B bulkhead mounted housing		A
	DRAWN BY	Limei.L	2018.3.23	SIZE	PART NUMBER	SHEET
	CHECKED BY	Andy.Y	2018.3.23	A4	1715695	1 OF 1
APPROVED BY	Steven.W	2018.3.23	SCALE 1:1	MATERIAL:	UNIT: mm	