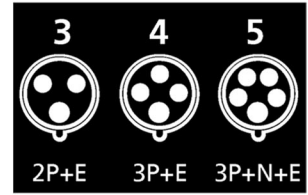


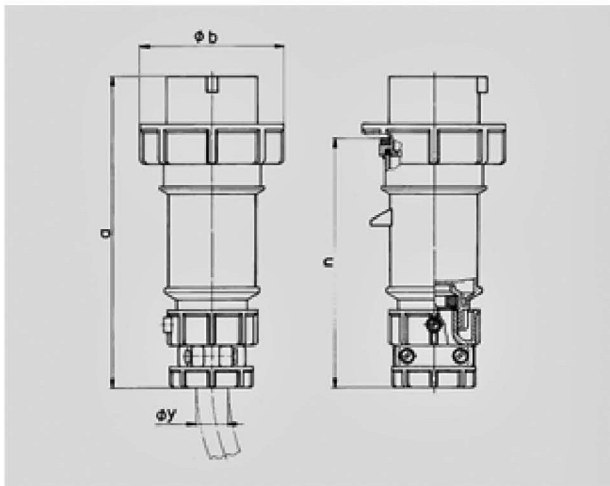
Plug PowerTOP® - Part no.3846



- screw terminals
- highly heat resistant contact carrier
- nickel plated contacts
- cable gland and external cable grip



Protection type IP 67
 Ampere 32A
 Poles 4p
 Voltage 440V
 Hertz 60Hz
 Earth position 11h
 Contact nickel plated contacts, highly heat resistant contact carrier
 Connection technology Screw terminals



Drawing	Amp.	16			32		
		3	4	5	3	4	5
2 MB 171	Poles						
Dim. in mm	a	162	172	186	199	199	213
	b	71	79	89	95	95	102
	n	129	139	152	157	157	172
	y	19	19	22	24,5	24,5	28,5
Terminal for cond. cross		1	1	1	2,5	2,5	2,5
section (mm ²) min.-max.		-2,5	-2,5	-2,5	-6	-6	-6

