



ENGLISH

## Datasheet

Stock No: 261-5064

# RS Pro 4 mm Test Plug & Socket



## Product Details

### Terminal Post - Small

#### Terminal Post

Accepts 4mm unshrouded plugs in the top or in the cross hole at the side

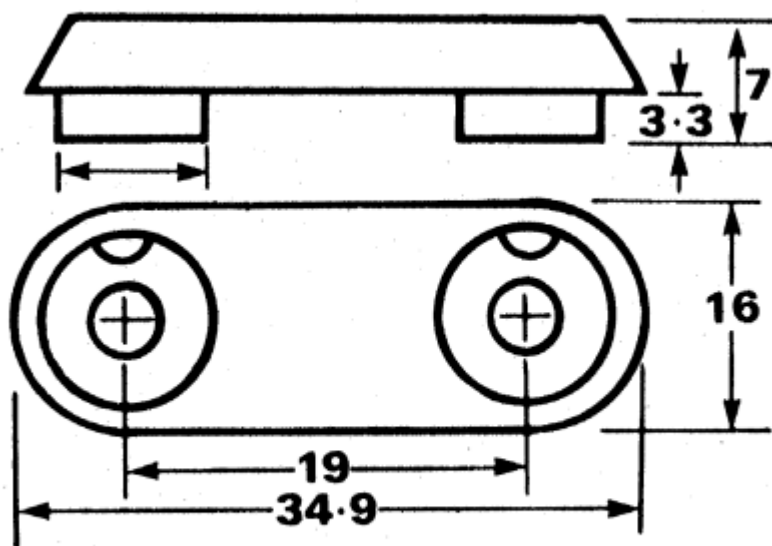
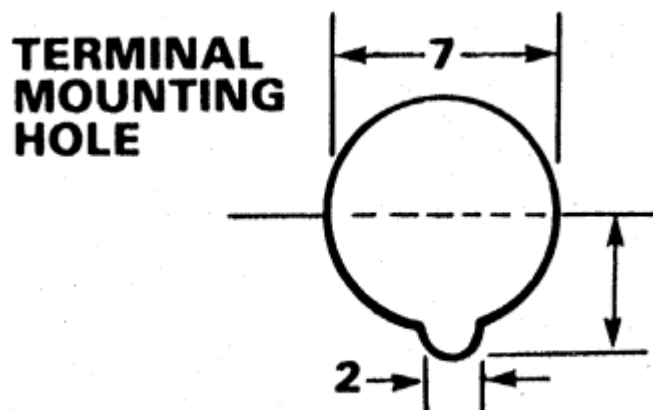
Castellated tops to give additional torque when wires are clamped

Terminal height above panel 27mm (closed); 33mm (open)

#### Terminal Post bung

Safety bungs are available to fit into the top part of the terminals. The bungs fit flush to stop any insertion of either a probe or a plug to the conductive socket. See stock no. 261-5064

Dimensions:



**MOUNTING PLATE DIMENSIONS**