

Peltier Cooler Module

31 Couples, 3.9V DC, 8.6W

multicomp^{PRO}

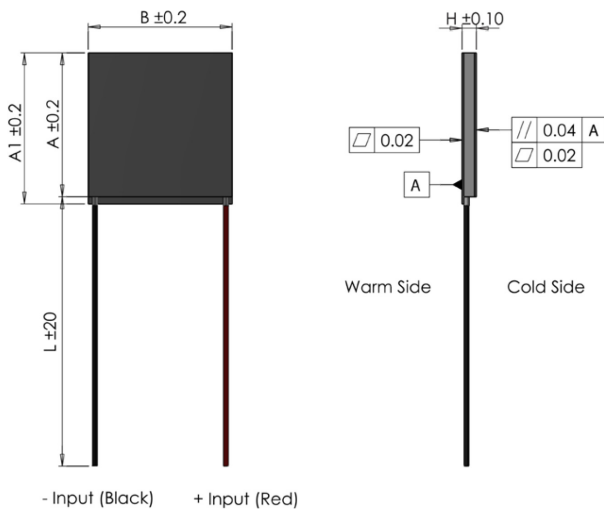
RoHS
Compliant



Electric Characteristics

I_{max}	: 4A
V_{max}	: 3.9V DC
$P_c \text{ max}$: 8.6W
ΔT_{max}	: 73°C

Diagram



Dimensions

A	: 30mm
$A1$: 30mm
B	: 15mm
H	: 3.6mm
L	: 100mm

Notes

- (At hot side temperature $T_h = 25^\circ\text{C} / 298\text{K}$, under dry N_2)
- $P_c \text{ max}$ = Cooling power at $\Delta T = 0$ and $I = I_{max}$
- ΔT_{max} = Temperature difference at $I = I_{max}$ and $P_c = 0$
- Max hot side temperature $T_h = 90^\circ\text{C}$ for best long term performance
- Max mounting pressure: 1.5MPa
- Wires: UL-style 1569, 105°C (Unstripped)

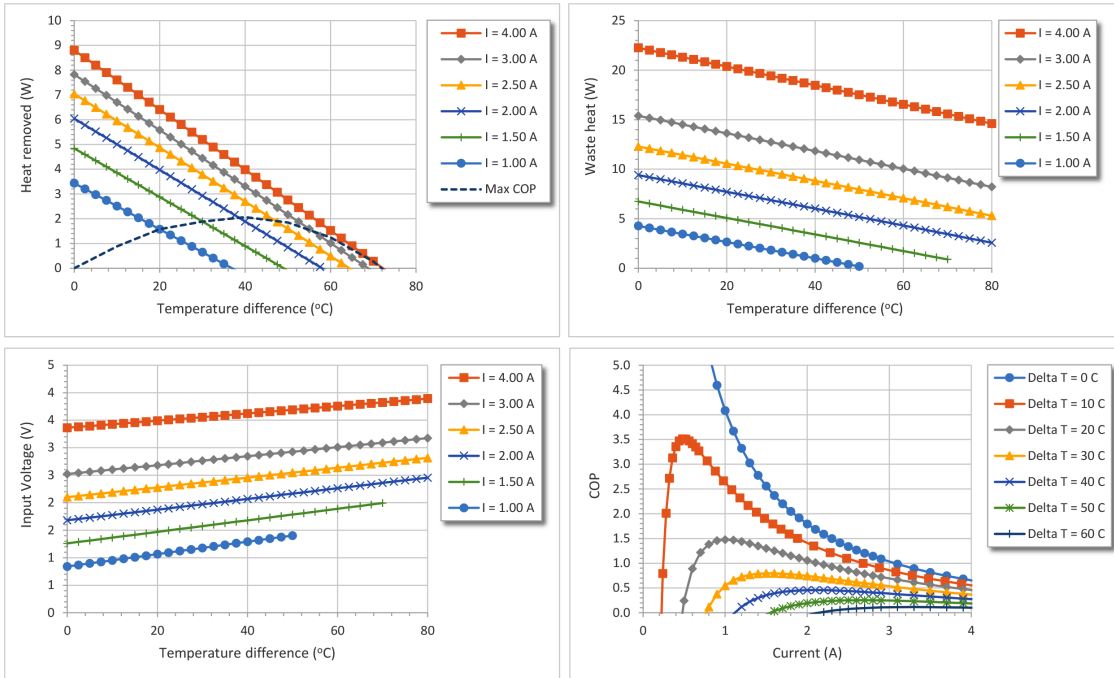
multicomp^{PRO}

Peltier Cooler Module

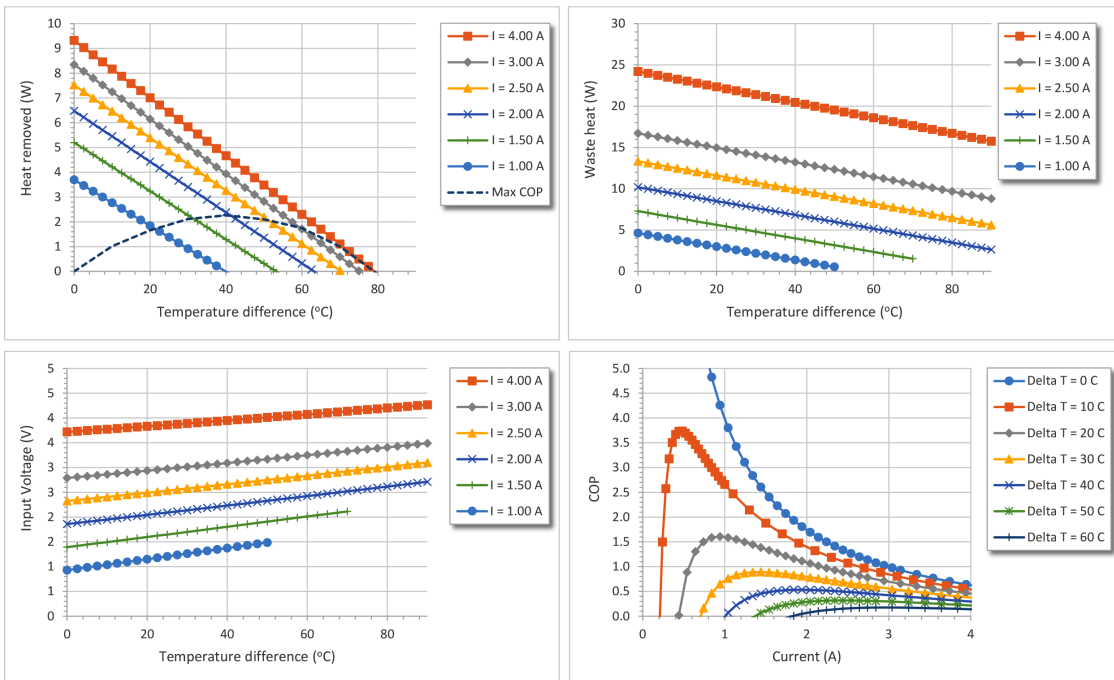
31 Couples, 3.9V DC, 8.6W



At hot side temperature 25°C



At hot side temperature 50°C



Newark.com/multicomp-pro
 Farnell.com/multicomp-pro
 Element14.com/multicomp-pro

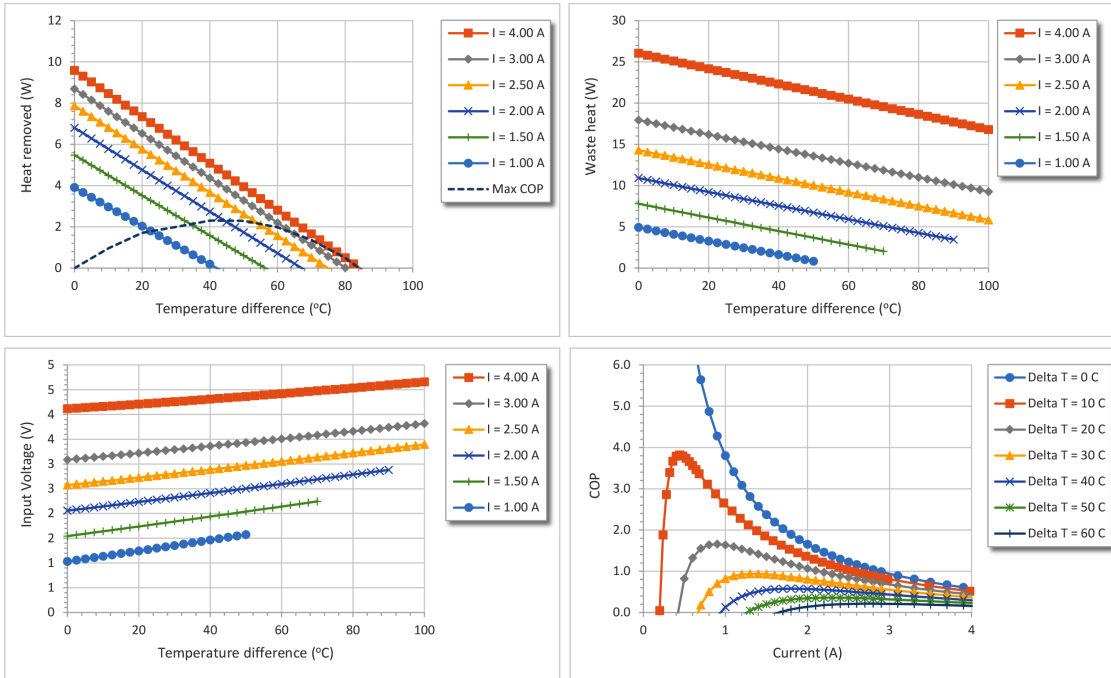


Peltier Cooler Module

31 Couples, 3.9V DC, 8.6W



At hot side temperature 75°C



Part Number Table

Description	Part Number
Peltier Cooler Module (Thermoelectric Cooler Module), 31 Couples, 3.9V DC, 8.6W, 4A, 73°C	MPET-031-10-13-H1

Important Notice : This data sheet and its contents (the "Information") belong to the members of the AVNET group of companies (the "Group") or are licensed to it. No licence is granted for the use of it other than for information purposes in connection with the products to which it relates. No licence of any intellectual property rights is granted. The Information is subject to change without notice and replaces all data sheets previously supplied. The Information supplied is believed to be accurate but the Group assumes no responsibility for its accuracy or completeness, any error in or omission from it or for any use made of it. Users of this data sheet should check for themselves the Information and the suitability of the products for their purpose and not make any assumptions based on information included or omitted. Liability for loss or damage resulting from any reliance on the Information or use of it (including liability resulting from negligence or where the Group was aware of the possibility of such loss or damage arising) is excluded. This will not operate to limit or restrict the Group's liability for death or personal injury resulting from its negligence. Multicomp Pro is the registered trademark of Premier Farnell Limited 2019.

Newark.com/multicomp-pro
 Farnell.com/multicomp-pro
 Element14.com/multicomp-pro

