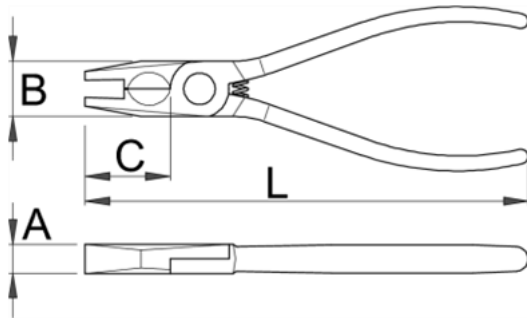


Telephone pliers - 503/4P



Description

- material: special tool steel
- drop forged, entirely hardened and tempered
- cutting edges induction hardened
- head surface finish: finely ground
- surface finish: phosphated to standard ISO 9717
- handles plastic dipped

Technical Data

Barcode	Lenght	B	A	C	Weight	Box	Carton	Truck
607863	140	17	9	35	99	4B	10	1

Packaging data

Barcode	Lenght	Retail tool packaging			Weight	Hand	Transport package			Weight
		Retail packing in mm (length)	Retail packing in mm (width)	Retail packing in mm (height)			Transport packing in mm (length)	Transport packing in mm (width)	Transport packing in mm (height)	
607863	140	210	58	20	105	4	75	278	54	480