

Multipurpose Diecast Aluminium Enclosures with the Flanges

multicomp PRO

**RoHS
Compliant**



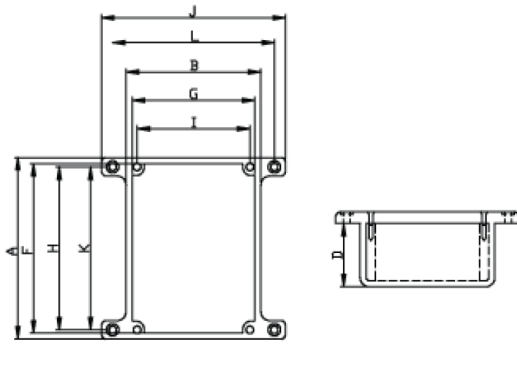
Description

Aluminium enclosures with flanges for wall mounting. They are used for manufacturing of sensors, instruments, net filters, terminal boxes and other equipment.

Features

- The flanges for fastening on the installation place are available.
- Ideal for radio equipment and devices that are intended for unfavourable weather conditions.
- Ideal for heat-causing devices for the enclosure itself is a perfect heat-remover.
- These enclosures are structural strength, light weight, easy physical treatment.
- Aluminium alloy 380 (BS1490 LM24)
- Natural colour

Diagram



Dimension Table

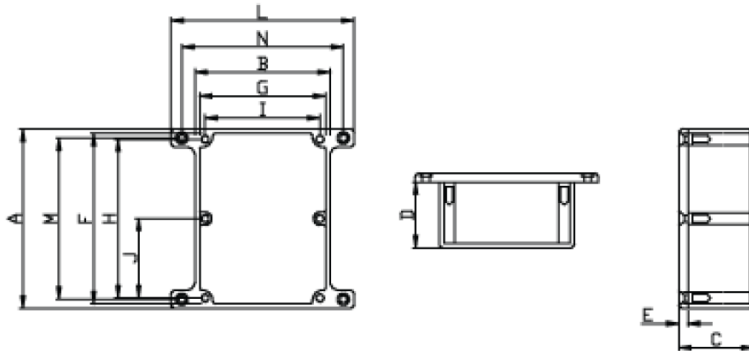
Part Number	A	B	C	D	E	F	G	H	I	J	K	L
MC003565	90	38	30	26	4	86	34	82	28	63.1	82.8	50.0
MC003566	111	60	30	26		107.2	56.2	101.6	50.8	84.5	101.3	72.1
MC003567	119	93.5	56.5	52.5		114.2	88.7	109.5	84.2	118.5	105.6	104.7
MC003570	50.8	50.8	31.8	27.8		47.4	47.4	41.2	41.2	75.8	41.4	62.8
MC003571	110	82.5	44.5	40.5		105.2	77.7	100.5	73	107.5	100.7	94.7
MC003572	120.5	80	59.2	55.2		115.7	75.2	111.1	70.5	105.0	111.3	92.1
MC003573	119	93.5	34	30		114.2	88.7	109.5	84.2	118.5	105.6	104.7
MC003574	120.5	120.5	59.2	55.2		115.7	115.7	111.1	111.1	145.4	111.4	132.5
MC003575	120.5	120.5	95.2	91.2		115.7	115.7	111.1	111.1	145.4	111.4	132.5
MC003579	111	60	54	50		107.2	56.2	101.6	50.8	84.5	101.3	72.1

Dimensions : Millimetres

Newark.com/exclusive-brands
Farnell.com/exclusive-brands
Element14.com/exclusive-brands

multicomp PRO

Multipurpose Diecast Aluminium Enclosures with the Flanges



Dimension Table

Part Number	A	B	C	D	E	F	G	H	I	J	K	L	M
MC003568	187	118	56.5	52.5	4	182.2	113.2	177.8	109.5	88.9	143	178.2	130
MC003569	187	118	81.7	77.7		182.2	113.2	177.8	109.5	88.9	143	178.2	130
MC003576	152.4	82.5	50.8	46.8		147.6	77.7	142.5	72.6	71.3	107.5	142.7	94.6
MC003577	187	118	38	34		182.2	113.2	177.8	109.5	88.9	143	178.2	130

Dimensions : Millimetres

Part Number Table

Description	Dimensions L x W x H (mm)	Part Number
Multipurpose Diecast Aluminium Enclosures with the flanges	90 x 38 x 30	MC003565
	111 x 60 x 30	MC003566
	119 x 93.5 x 56.5	MC003567
	187 x 118 x 56.5	MC003568
	187 x 118 x 81.5	MC003569
	50.8 x 50.8 x 31.8	MC003570
	110 x 82.5 x 44.5	MC003571
	120.5 x 80 x 59.2	MC003572
	119 x 93.5 x 34	MC003573
	120.5 x 120.5 x 59.2	MC003574
	120.5 x 120.5 x 95.2	MC003575
	152.4 x 82.5 x 50.8	MC003576
	187 x 118 x 38	MC003577
	190.5 x 190.5 x 66.5	MC003578
111 x 60 x 54	MC003579	

Important Notice : This data sheet and its contents (the "Information") belong to the members of the AVNET group of companies (the "Group") or are licensed to it. No licence is granted for the use of it other than for information purposes in connection with the products to which it relates. No licence of any intellectual property rights is granted. The Information is subject to change without notice and replaces all data sheets previously supplied. The Information supplied is believed to be accurate but the Group assumes no responsibility for its accuracy or completeness, any error in or omission from it or for any use made of it. Users of this data sheet should check for themselves the Information and the suitability of the products for their purpose and not make any assumptions based on information included or omitted. Liability for loss or damage resulting from any reliance on the Information or use of it (including liability resulting from negligence or where the Group was aware of the possibility of such loss or damage arising) is excluded. This will not operate to limit or restrict the Group's liability for death or personal injury resulting from its negligence. Multicomp Pro is the registered trademark of Premier Farnell Limited 2019.

Newark.com/exclusive-brands
 Farnell.com/exclusive-brands
 Element14.com/exclusive-brands

