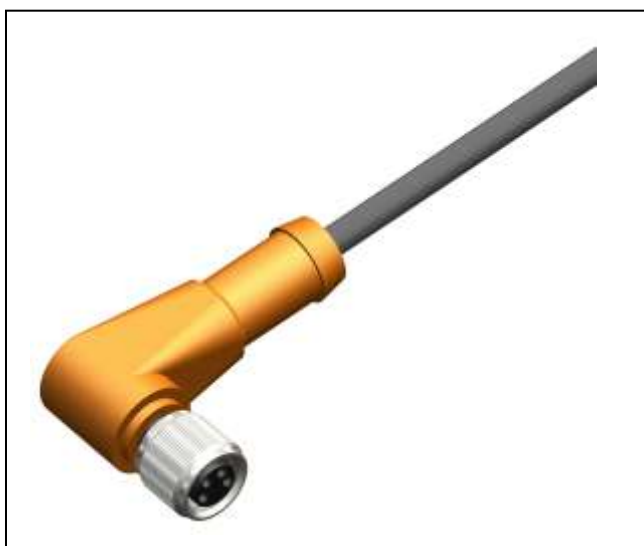


FEATURES

- Cable length is 5m
- Insulation Resistance $\geq 100 \text{ M}\Omega$
- Un-terminated and partially stripped wire
- Brass nickel plated coupling nut

RS PRO M08 FEMALE CONNECTOR ASSEMBLY 4 PIN 4 WIRE RIGHT ANGLE ORANGE JACKET 5m 0.34 sq. mm PUR CABLE

RS Stock No.: 2121694



RS Professionally Approved Products bring to you professional quality parts across all product categories. Our product range has been tested by engineers and provides a comparable quality to the leading brands without paying a premium price.

Product Description
ATTRIBUTE 1

M8 Single Ended Cable Assembly

Brought to you under the trusted RS Brand, this range of M8 connector cable assemblies are commonly used in sensor and automation equipment. Boasting a high degree of environmental protection, they are ideal for industrial use. Fitted with a secure coupling nut, these RS M8 Connector Cable Assemblies are left un-terminated and partially stripped at one end, and are an ideal solution for when secure and reliable data transference is needed.

Features and Benefits:

- Wire is un-terminated and partially stripped
- Insulation Resistance $\geq 100 \text{ M}\Omega$
- Neoprene O-Ring
- Brass nickel plated coupling nut

General Specifications

Rated Operational Voltage	30 V
Current Rating	4A
Insulation Resistance	$\geq 100 \text{ M}\Omega$
Temperature Range	-25°C ... +75°C
Coding	A-Coded

Material Specifications

Grip Material	PU
Contact	Cu-Zn
Contact Plating	Gold Flash
Contact Carrier	Nylon 66
Grip Color	Orange
Coupling Nut	Brass Nickel-Plated

Cable Specifications

Cable Length-L	5 m
Cable Type	4 Core PUR Multi Strand
Sheath Color	Black
Cross Section of Wire	0.34 sq. mm
Core Dia	1.35 mm

RS PRO M08 CONNECTOR ASSEMBLY

Cable Dia	4.8 ± 0.1 mm
Termination	Partially Stripped

Protection Category

Degree of Protection	IP67
----------------------	------

Additional Information

Custom Tariff Number	85369090
----------------------	----------

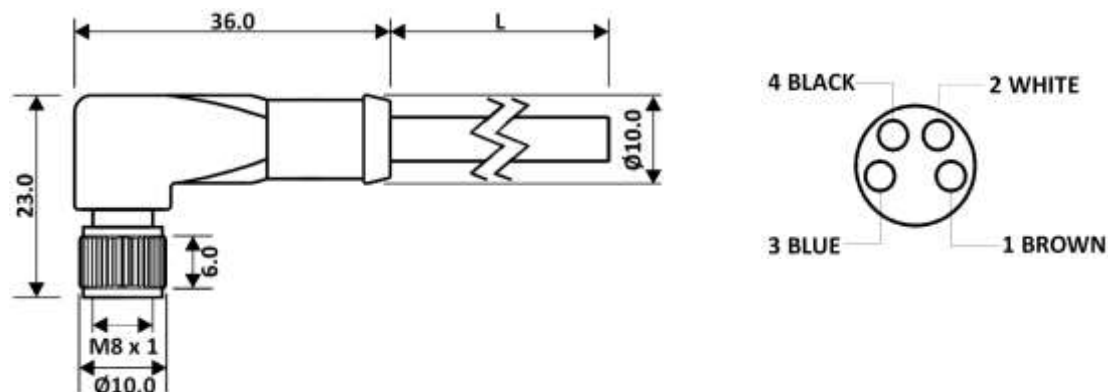
Approvals

Standards Met	
---------------	--

Similar Products

Stock No.	Brand	Product Name	Attribute 1	Attribute 2
186-3126	RS PRO	M8 Single Ended Cable Assembly	Industrial Automation Cable Assemblies	Actuator/Sensor Cable

Connection Diagrams / Assembly Diagrams / Illustrations / Accessories



All Dimensions are in mm.