

Capillary Thermostats TS Series

multicomp **PRO**

RoHS
Compliant



Description

This thermostat functions as maintaining adjusted temperature by measuring external and internal temperature of the equipments as an expanding-liquid thermostat. If the sensor detects the heat, the liquid expands and it extends the space of diaphragm, and that power enables making and breaking contact points of the switch. It is an automatic reset product that repeats going up and down within the range of adjusted temperature.

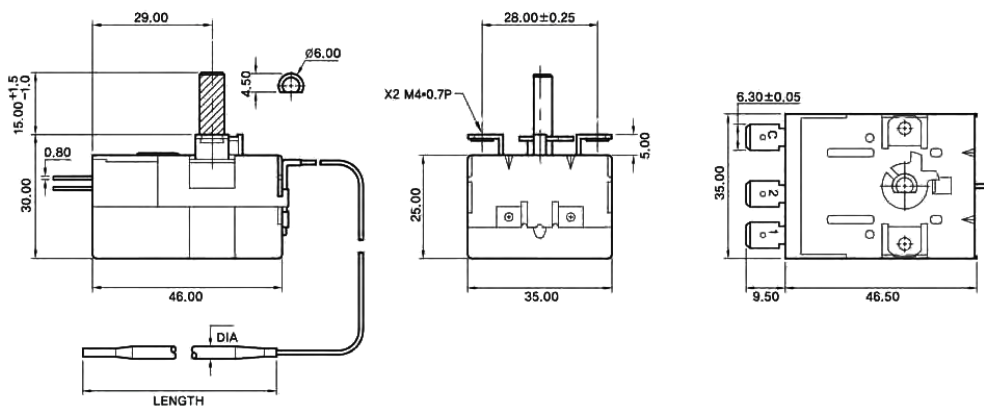
Specifications

Capillary	: 1,000mm
Knob (Dial)	: Fahrenheit Knob (Type 'R')
Stuffing Bolt	: PT1/4 Pipe Thread
Mounting Distance	: 28mm
Electric Rating	: 20A / 250V
Switch Action	: SPDT
Shaft Range	: 32°F to 250°F (0°C to 121°C)
Ambient Temp.	: 120°C
Tab Terminal	: Straight

Applications

- Fridge, freezer, hot and cool dispenser, air conditioner.
- All sorts of cooking equipment's such as fryers, electric oven, microwave, waffle maker and so forth.
- Sauna, water bed, ATM machine

Diagram



Dimensions : Millimetres

Newark.com/multicomp-pro
Farnell.com/multicomp-pro
Element14.com/multicomp-pro

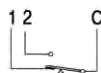
multicomp **PRO**

Capillary Thermostats TS Series

multicomp^{PRO}

► Switch/Circuit Diagram

SPDT

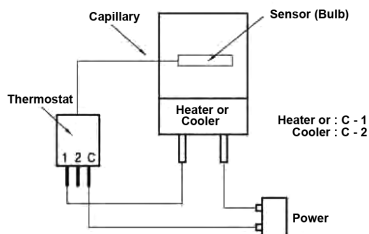


SPST



C : Common
1 : Heating
2 : Cooling
(Fan, Lamp)

► Functional Description

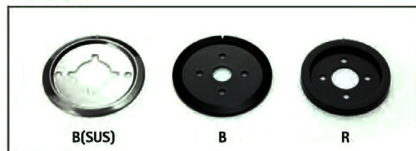


Option and Accessory

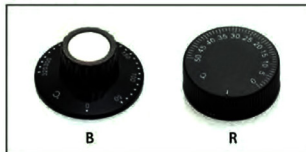
Bulb Type



Bezel Type



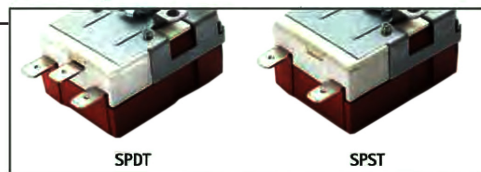
Knob Type



Stuffing Bolt



Terminal Type



Newark.com/multicomp-pro
Farnell.com/multicomp-pro
Element14.com/multicomp-pro

multicomp^{PRO}

Capillary Thermostats

TS Series

multicomp PRO

Specification Table

Part Number	Temperature Range (°F)	Temperature Range (°C)	Bulb	Switch Action	Terminal Type	Bezel Type	Knob Type	Stuffing Bolt Size	Capillary Length
TS-122S R	32°F to 122°F	0°C to 50°C	5.8mm × 127mm	SPDT	Quick Connect 6.3mm × 0.8mm	R	R	N/A	1000mm
TS-194S R	32°F to 194°F	0°C to 90°C	5.8mm × 123mm						1000mm
TS-248S R	32°F to 248°F	0°C to 120°C	5.0mm × 106mm						1000mm
TS-122S R-C	32°F to 122°F	0°C to 50°C	5.8mm × 127mm					1/4 Pipe Thread	1000mm
TS-194S R-C	32°F to 194°F	0°C to 90°C	5.8mm × 123mm						1000mm
TS-248S R-C	32°F to 248°F	0°C to 120°C	5.0mm × 106mm						1000mm

Part Number Table

Description	Part Number
Capillary Thermostat, 20A, 250V AC	TS-122S R
Capillary Thermostat, 20A, 250V AC, Stuffing Bolt	TS-122S R-C
Capillary Thermostat, 20A, 250V AC	TS-194S R
Capillary Thermostat, 20A, 250V AC, Stuffing Bolt	TS-194S R-C
Capillary Thermostat, 20A, 250V AC	TS-248S R
Capillary Thermostat, 20A, 250V AC, Stuffing Bolt	TS-248S R-C

Important Notice : This data sheet and its contents (the "Information") belong to the members of the AVNET group of companies (the "Group") or are licensed to it. No licence is granted for the use of it other than for information purposes in connection with the products to which it relates. No licence of any intellectual property rights is granted. The Information is subject to change without notice and replaces all data sheets previously supplied. The Information supplied is believed to be accurate but the Group assumes no responsibility for its accuracy or completeness, any error in or omission from it or for any use made of it. Users of this data sheet should check for themselves the Information and the suitability of the products for their purpose and not make any assumptions based on information included or omitted. Liability for loss or damage resulting from any reliance on the Information or use of it (including liability resulting from negligence or where the Group was aware of the possibility of such loss or damage arising) is excluded. This will not operate to limit or restrict the Group's liability for death or personal injury resulting from its negligence. Multicomp is the registered trademark of Premier Farnell Limited 2019.

Newark.com/multicomp-pro
 Farnell.com/multicomp-pro
 Element14.com/multicomp-pro

multicomp PRO