

## SF - SS limit switch box series

Multi purpose limit switch box for safe area or Intrinsically Safe applications.

### Features

- Twin shaft design
- Self lubricating bushings
- Copper free aluminium or 316 stainless steel housing option for maximum corrosion protection
- Two cable entries either metric or imperial
- Multiple indicator options
- Easy wiring through the terminal PCB board
- Position transmitter board optional
- Suitable for arctic environments

### Approvals

**ATEX, IECEX, EAC, CCOE, INMETRO:**

**For NAMUR sensors type:**

II 1GD Ex ia IIC T4/T5/T6 Ga Ex ia IIIC T120°/T100°/T85°  
II 2GD Ex ib IIC T4/T5/T6 Gb Ex ib T120°/T100°/T85°C Db

**For SPDT, DPDT switches type:**

II 1GD Ex ia IIC T4 Ga Ex ia IIIC T95°C/120°C Da

**UL:** Class I Division 2 Groups A, B, C, D  
Class II Division 2 Groups F, G

**SIL certificate:** Up to SIL 3 certified by TÜV

**Protection rating:** IP 66 / 67  
NEMA 4 4X on request

**Temperature:**

-40 to +80 °C (-40 to +176 °F) standard temperature range

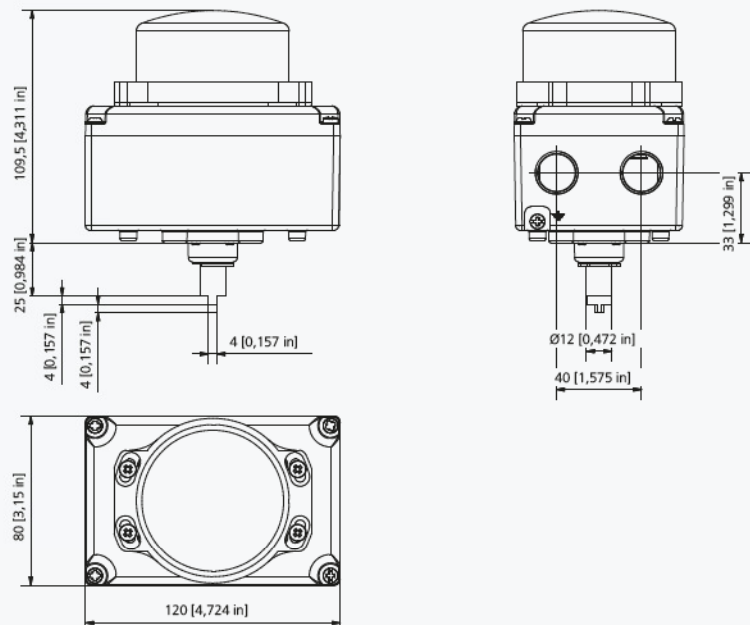
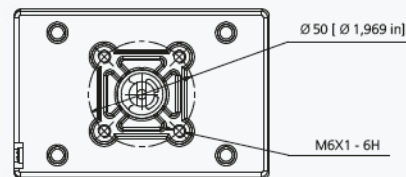
-60 to +105 °C (-76 to +221 °F) available on request



### SF limit switch box



### SS limit switch box



## SF - SS limit switch box series

### Nomenclature

SB N1 2 0 0 - 1 1 X 1 1 A 4

#### Box

- SF = Aluminium enclosure
- SS = 316 stainless steel enclosure

#### Switch

- 01 = Electro mec. switch, SPDT, silver contacts, up tp SIL3 (Switch qty: 2,3,4; Terminal digit: 0; temp digit: L)
- 03 = Electro mec. switch, SPDT, gold contacts, up tp SIL3, Exia ready, (Switch qty: 1,2,3,4; Terminal digit: 0; temp digit: L)
- 1F = Electro mec. switch, DPDT, silver contacts, up tp SIL3 (Switch qty: 1,2; Terminal digit: 0; temp digit: L)
- 06 = Electro mec. switch, SPDT, gold contacts, up tp SIL3, Exia ready, (Switch qty: 1,2; Terminal digit: 0; temp digit: L)
- C4 = Magnetic reed SPDT, hermetically sealed, up to SIL3, Exia ready, (Switch qty: 1,2,3,4; Terminal digit: 0; temp digit: L, P)
- C8 = Magnetic reed DPDT, hermetically sealed, up to SIL3, Exia ready, (Switch qty: 1,2; Terminal digit: 0; temp digit: L, P)
- N1 = Mag. proximity SPDT silver hermetically sealed up to SIL3, (Switch qty: 1,2,3,4; Terminal digit: 0; temp digit: L, M)
- N3 = Mag. proximity SPDT gold hermetically sealed up to SIL3, Exia ready, (Switch qty: 1,2,3,4; Terminal digit: 0; temp digit: L, M)
- N4 = Mag. proximity DPDT silver hermetically sealed up to SIL3, (Switch qty: 1,2; Terminal digit: A; temp digit: L, M)
- 32 = Inductive proximity NBN4-12GM40-Z0 2 wires, (Switch qty: 1,2; Terminal digit: 0; temp digit: F)
- 73 = Inductive proximity NBB2-V3-E2, PNP NO, up to SIL3, (Switch qty: 1,2,3,4; Terminal digit: 0; temp digit: B)
- 75 = Inductive proximity IS5026, 2 wire, NO /NC, (Switch qty: 1,2,3,4; Terminal digit: 0; temp digit: E)
- 70 = Inductive NAMUR proximity NJ2-V3-N, 2 wire, up to SIL3, Exia ready, (Switch qty: 1,2,3,4; Terminal digit: 0; temp digit: E)
- 62 = Inductive NAMUR proximity SJ 3,5 SN, 2 wire, 8V DC, up to SIL3, Exia ready, (Switch qty: 1,2,3; Terminal digit: 0, A; temp digit: L, M)
- T0 = 4-20mA analog position transmitter, (Switch qty: 0; Terminal digit: A; temp digit: L)
- T1 = 4-20mA analog position transmitter + electro mec. switch, SPDT, silver contacts, (Switch qty: 1,2; Terminal digit: A; temp digit: L)
- H0 = 4-20mA HART position transmitter, Exia ready, (Switch qty: 0; Terminal digit: A; temp digit: L)

See additional information and options on pages 14-19

#### Switch Quantity

- |   |
|---|
| 2 = N° 2 switch (related to switch description) |
| 0 = no switches for digital feedback            |
| 1 = N° 1 switch (related to switch description) |

#### Terminals

- 0 = Pre-wired terminal strip with additional extra poles for solenoid valve connection (for switches 01, 03, 1F, 06 C4, C8, N1, N3, 32, 70, 62, 73, 75)
- A = Pre-wired terminals without solenoid valve connection (for switches N4, 62, T0, T1, H0)

#### Coating

- 0 = Black powder coating
- E = Electro polished finishing (on SS series)

#### Cable Entries

- 1 = 2 cable entries 1/2" NPT
- 2 = 2 cable entries M20 x 1.5p

#### Visual Position Indicator

- 0 = 3D plastic visual position indicator red and green
- 1 = No visual position indicator
- T = 3D stainless steel position indicator

See additional information and options on page 11

#### Approval

- W = Weather proof
- X = ATEX and IECEx certified box
- G = EAC certification for Russian market
- J = CCOE certification for Indian market
- N = NEPSI certification for Chinese market
- U = UL certified box (not available for switches 32, 75, 62, H0)

See additional information and options on page 13

#### Marking

- 0 = Standard location
- 1 = Intrinsically safe certification
- 9 = cULus Class 1/2 Div 2 (with switches code: C4, C8, N1, N3)

See additional information and options on page 13

#### IP Protection rating

- 1 = Weather proof IP66 / IP67
- 7 = NEMA 4 and 4X

#### Temperature

- L = Ambient temperature range: -40 to +80 °C (-40 to +176 °F) (standard for all switch options, excluding: 32, 70, 73, 75)
- P = Ambient temperature range: -60 to +80 °C (-76 to +176 °F) (extended temp range for switches C4, C8)
- B = Ambient temperature range: -20 to +70 °C (-4 to +158 °F) (for switch 73)
- E = Ambient temperature range: -25 to +80 °C (-13 to 176 °F) standard for switch 70, 75
- F = Ambient temperature range: -25 to +70 °C (-13 to +158 °F) standard for switch 73.
- 2 = Ambient temperature range: -40 to +40 °C (-40 to 104 °F) only applicable to C4, C8 switches with UL approval.
- 4 = Ambient temperature range: -60 to +40 °C (-76 104 °F) extended temperature range applicable to C4, C8 switches with UL approval.

#### Material

- 4 = Copper free aluminium (on SF series)
- 6 = 316 stainless steel heavy duty enclosure (on SS series)