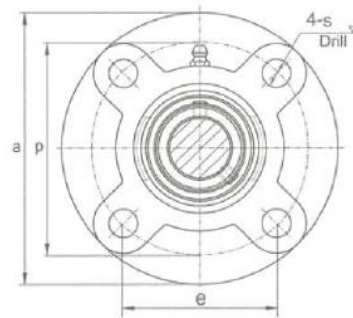
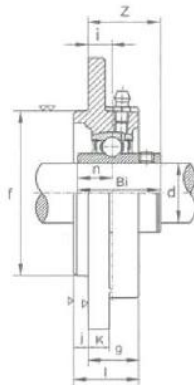


Flange Cartridge Bearing unit – Metric



| RS Article no. | Bearing unit No. | Shaft Dia. d (mm) | Dimension (mm) | | | | | | | | | | | | | Bolt used (mm) | Bearing No. | Housing No. | Weight (kg) |
|----------------|------------------|-------------------------|----------------|-----|------|----|------|----|----|----|------|-----|------|------|------|-------------------|-------------|-------------|-------------|
| | | | a | p | e | i | l | s | j | k | g | f | z | Bi | n | | | | |
| 7508813 | UCFC204 | 20 | 100 | 78 | 55.1 | 10 | 25.5 | 12 | 5 | 7 | 20.5 | 62 | 28.3 | 31.0 | 12.7 | M10 | UC 204 | FC 204 | 0.78 |
| 7508817 | UCFC205 | 25 | 115 | 90 | 63.6 | 10 | 27 | 12 | 6 | 7 | 21.0 | 70 | 29.7 | 34.0 | 14.3 | M10 | UC 205 | FC 205 | 0.95 |
| 7508826 | UCFC206 | 30 | 125 | 100 | 70.7 | 10 | 31 | 12 | 8 | 8 | 23.0 | 80 | 32.2 | 38.1 | 15.9 | M10 | UC 206 | FC 206 | 1.4 |
| 7508829 | UCFC207 | 35 | 135 | 110 | 77.8 | 11 | 34 | 14 | 8 | 9 | 26.0 | 90 | 36.4 | 42.9 | 17.5 | M12 | UC 207 | FC 207 | 1.7 |
| 7508823 | UCFC208 | 40 | 145 | 120 | 84.8 | 11 | 36.0 | 14 | 10 | 9 | 26.0 | 100 | 41.2 | 49.2 | 19.0 | M12 | UC 208 | FC 208 | 2.0 |
| 7508832 | UCFC209 | 45 | 160 | 132 | 93.3 | 10 | 38.0 | 16 | 12 | 14 | 26.0 | 105 | 40.2 | 49.2 | 19.0 | M14 | UC 209 | FC 209 | 2.8 |
| 7508835 | UCFC210 | 50 | 165 | 138 | 97.6 | 10 | 40.0 | 16 | 12 | 14 | 28.0 | 110 | 42.6 | 51.6 | 19.0 | M14 | UC 210 | FC 210 | 3.0 |