

Safety Certificates

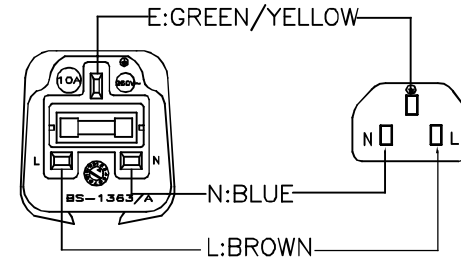
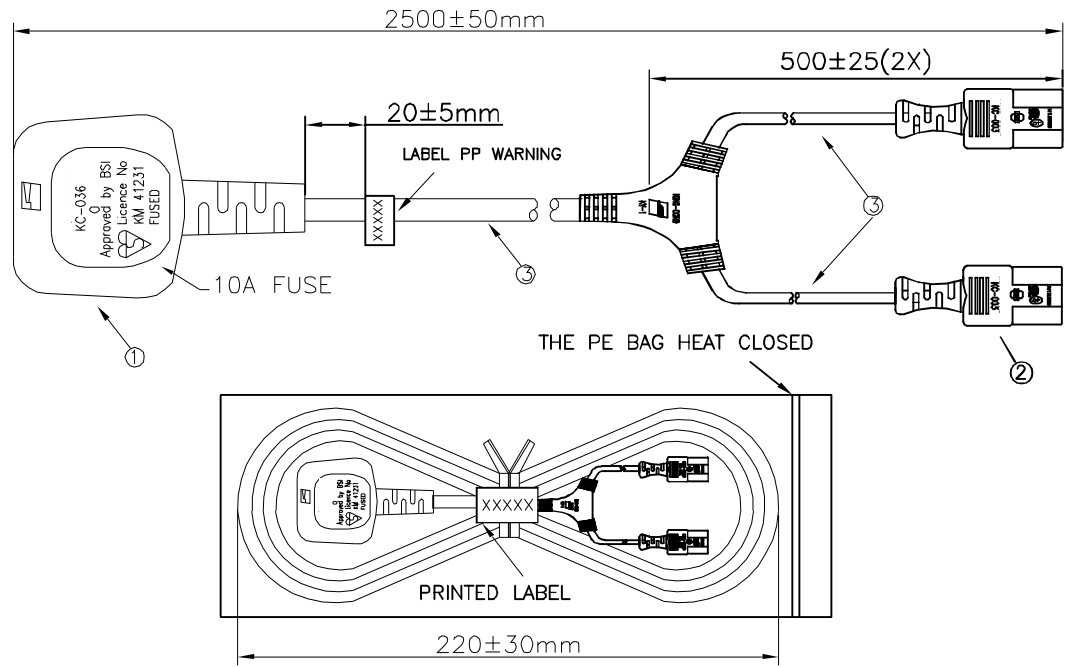
KC-036

Approved by BSI  
Licence No  
KM 41231

KC-003



RoHS Compliant



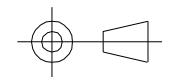
LABEL PP WARNING 50x20mm

PRINTED LABEL 30x20mm

RECORD OF CHANGE

DATE	REV	DESCRIPTION OF CHANGE
MAY.04.2018	A	NEW PRODUCT

NO:	DESCRIPTION	Q'TY	REMARK
1	Plug:KC-036,10A 250V~	1PC	BLACK
2	Connector:KC-003,10A 250V~	2PC	BLACK
3	Cable:H05VV-F 3G*1.0mm <sup>2</sup>	3PC	BLACK



UNIT:mm

NOTES:

CUSTOMER NAME:FIRST CONNECTIVITY LIMITED  
CUSTOMER NO.: 818-8912

