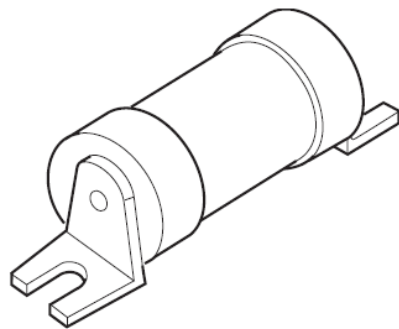


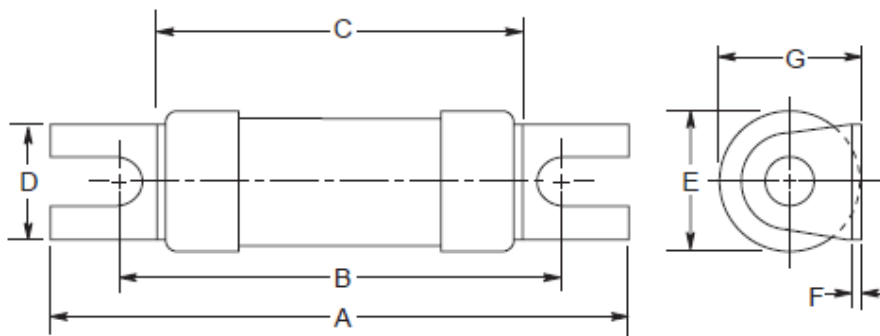
Datasheet

Industrial HRC Fuse

RS Stock number 521-2539



Dimensional Data:



Dimensions - mm

| S/N | Amp Rating | Pre-arcing | Total @ 415V | Total @ 550V | Nom Watts Loss | Rated Voltage | A | B | C | D | E | F | G |
|---------|------------|------------|--------------|--------------|----------------|---------------|------|------|------|------|------|-----|------|
| 5212466 | 2 | 1.3 | 4.6 | 5 | 0.9 | 550AC | 55.2 | 42.5 | 34.6 | 11.1 | 13.7 | 0.8 | 14.0 |
| 5212472 | 4 | 8 | 27 | 30 | 1.4 | 550AC | 55.2 | 42.5 | 34.6 | 11.1 | 13.7 | 0.8 | 14.0 |
| 5212494 | 6 | 29 | 100 | 115 | 1.8 | 550AC | 55.2 | 42.5 | 34.6 | 11.1 | 13.7 | 0.8 | 14.0 |
| 5212501 | 10 | 120 | 400 | 490 | 2.1 | 550AC | 55.2 | 42.5 | 34.6 | 11.1 | 13.7 | 0.8 | 14.0 |
| 5212517 | 16 | 120 | 500 | 730 | 1.8 | 550AC | 55.2 | 42.5 | 34.6 | 11.1 | 13.7 | 0.8 | 14.0 |
| 5212523 | 20 | 260 | 1070 | 1700 | 1.8 | 550AC | 55.2 | 42.5 | 34.6 | 11.1 | 13.7 | 0.8 | 14.0 |
| 5212539 | 20M25 | 575 | 2300 | 3700 | 1.2 | 550AC | 55.2 | 42.5 | 34.6 | 11.1 | 13.7 | 0.8 | 14.0 |
| 5212551 | 20M32 | 720 | 3000 | 6000 | 0.95 | 550AC | 55.2 | 42.5 | 34.6 | 11.1 | 13.7 | 0.8 | 14.0 |