



ENGLISH

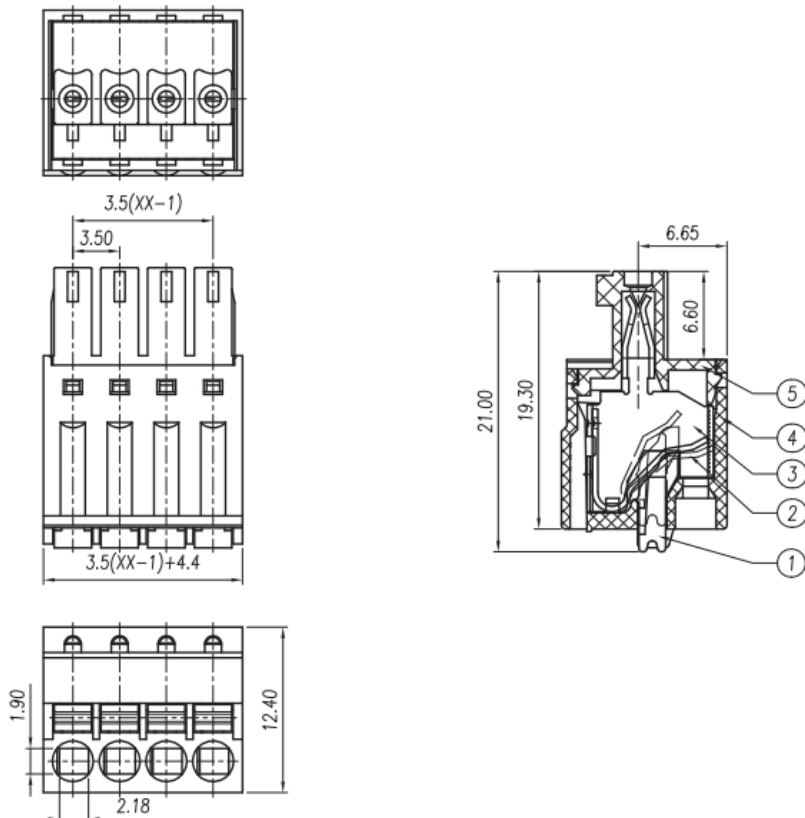
Datasheet

New 3.5mm Plug 8A 3 Way

RS Stock 874-5111



Dimensions: (mm)





Specifications

Electrical

Standard	UL	IEC
Rated voltage	300V	250V
Rated current	8A	10A
Contact resistance	20mΩ	
Insulation resistance	500MΩ/DC500V	
Wire range	28~16AWG	1mm ²
Wrth standing voltage	AC 2000V/1 Min	

Mechanical

Torque	0.4Nm(3.6Lb.in)
Steip Length	7-8mm

Dimensions

Pitch	3.5mm
Poles	2~24p

Material

Housing	PA66, UL94V-0
Clamp	Phosphor bronze,Ni plated
Wire guard	Stainless steel

		linear dimension(Tolerances Standard GB/T 14486-2008)											≡	—	□	//	⊥
variable range	to	over 6	over 10	over 18	over 30	over 50	over 80	over 120	over 160	over 200	over 250	all	to 5	over 5 to 30	over 30 to 120	over 120 to	
	6	to 10	to 18	to 30	to 50	to 80	to 120	to 160	to 200	to 250							
tolerance		±0.1	±0.14	±0.19	±0.25	±0.32	±0.43	±0.57	±0.72	±0.88	±1.05	±1.25	0.5	0.025	0.06	0.12	0.4