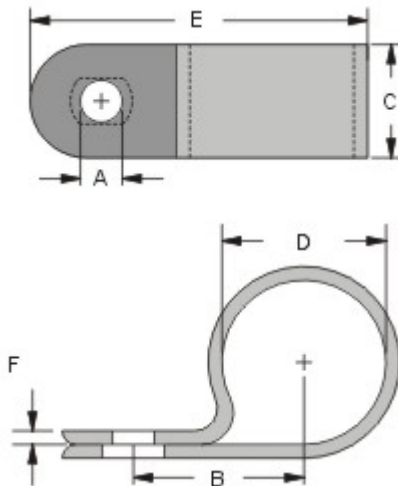


Product Datasheet

Cable Clip



- Material: UL approved Nylon 66, 94V-2
- Color: Natural.
- Cable Clamps are designed to hold cables, tubes, and components in domestic appliance, electronics and electric apparatus generally.
- interior edges are radiused to protect cable insulation
- To apply, just clamp down on loosen cables and screw it to chassis



RS Number	Item Spec/Global Description	Dimension						Packing
		A	B	C	D	E	F	
8178952	CABLE CLAMP, 5mm Bundle Dia	4.8	9.2	9.6	5	18.6	1.2	100
8178956	CABLE CLAMP, 3.1mm Bundle Dia	4.8	8	9.6	3.1	17	1.2	
8178968	CABLE CLAMP, 6.35mm Bundle Dia	4.6	10	10	6.4	20	1.4	
8178959	CABLE CLAMP, 12.7mm Bundle Dia	5	15.2	12	12.7	31	1.5	